

General Catalogue

SHIMGE PUMP INDUSTRY (ZHEJIANG) CO., LTD.



Surface pumps

50Hz



Immediately join the Shimge Family by scanning:
<https://www.shimgepump.com>

SHIMGE PUMP INDUSTRY (ZHEJIANG) CO., LTD.

Add: Dayangcheng Industrial Zone, Daxi Town, Wenling City, Zhejiang Province, China
Tel: +86-576-86339960
Fax: +86-576-86337079
Email: admin@shimge.com



CATALOG

Surface pumps

Peripheral Pumps

○ QB 01 


Self-Priming Peripheral Pumps

○ WZB 05 

Automatic Self-Priming Peripheral Pumps

○ PW 09 


○ PW-Z 12 


○ PW-F 16 

○ PZ 20 

Centrifugal Pumps

○ CPm 24 

○ SHF(m) 28 

○ 2SGP(m) 33 

○ SGT 37 

○ PXm 41 

○ PX-E 45 

○ PRm 49 

○ KSW 53 

○ PUm 56 

○ CA 59 

Self-Priming JET Pumps

○ JET 41 

○ SGJW-S 49 

○ JET-G2 54 

○ PJ750M1 59 



Company Profile

Established in 1984 and headquartered in Daxi Town, Wenling City, Zhejiang Province—a town with flourishing pump industry, Shime Pump Industry (Zhejiang) Co., Ltd. is a limited liability company specialized in producing various kinds of pumps and control equipment. For over three decades, Shime Pump Industry has been committed to technical researches, manufacturing and marketing of all kinds of pumps and control equipment, as well as providing first-class pumps and water treatment system solutions for the world.

Based on keen market insight, the company developed the "screw pump" in 1987, which filled the gap in the domestic market at that time. Due to its excellent quality, Shime soon stood out in the industry, and started its journey as a legendary brand in China's pump industry. The company was once successfully listed in the A-share market in Shenzhen Stock Exchange on December 31, 2010 (stock code: 002532. According to the development strategy of the company, it was delisted in the form of asset reorganization and completed privatization in July 2020^{*}). Currently, the company has 6 major brands, 12 product series with more than 2,000 specifications, and 8 holding subsidiaries, becoming a real leading brand in China's pump industry.



Shime's production base in HangZhou, Zhejiang Province



Shime's production base in SanChiku, Wenling, Zhejiang Province



Shime's casting parts production base in JiangSu Province

Shime's casting production base in JiangXi Province

Shime's casting production base in JiangSu Province



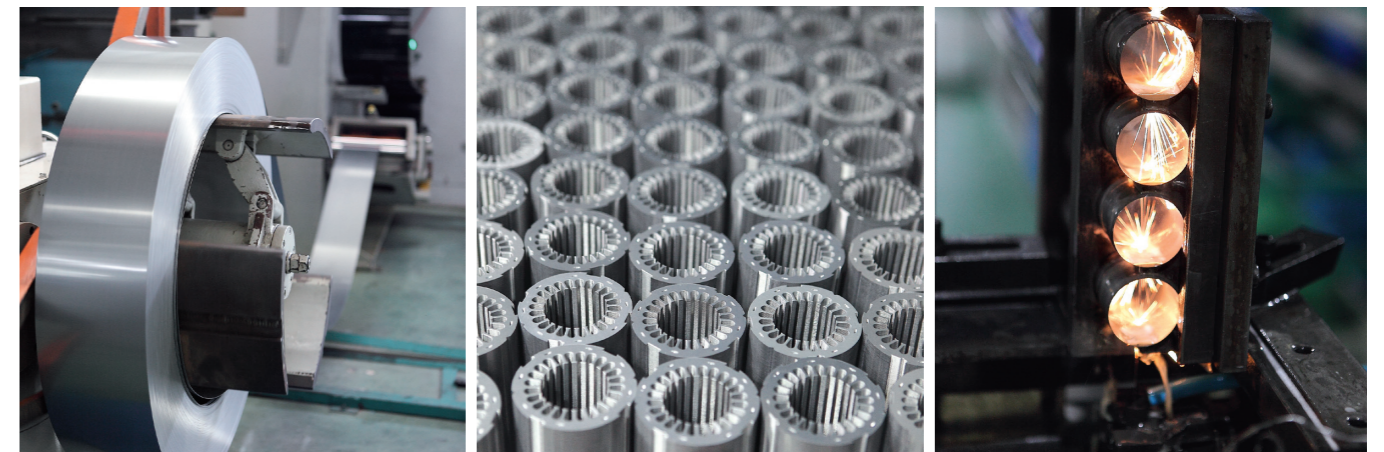
High Quality Production

FOR BETTER LIFE

Shimge sticks on the comprehensive innovation on R&D and production process which commits to improve the production process and efficiency.



On one hand, we strengthen the professional skill of workers by sustaining training, and on the other, we put into the robot automatic production machine instead of manual work. By those ways, we have not only reduced the manufacturing cost, but also improved the product quality and stability.





Strict Quality Control

FOR BETTER LIFE

Since its establishment, Shimge has always actively promoted comprehensive “lean” quality and environment management, and has currently passed ISO9001, ISO14001 and OHSAS18001 certification, introduced excellent performance management in line with GB/T 19580 and established a sound quality assurance system.



SHIMGE has equipped an industry-leading physicochemical testing center, and its delivery performance inspection platform has reached a precision of grade B (grade 1) in the evaluation conducted by an authoritative agency. In addition, its products have passed GS, CE and UL certification, and met the specifications of the RoHS Directive.



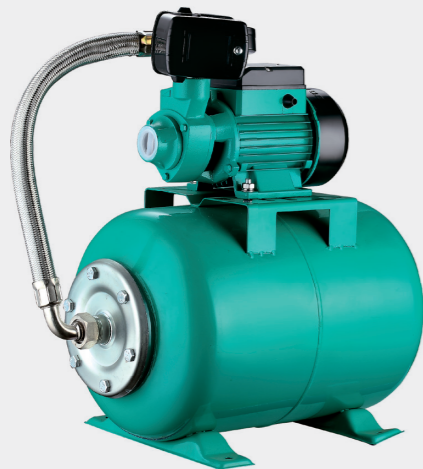
QB60A



QB60G1



QB60L1/K1



QB

Performance Range

Max. Flow: 3.6m³/h
Max. Head: 60m

Application Limits

- ⊙ Suction head up to 8m
- ⊙ Liquid temperature up to +40°C
- ⊙ Ambient temperature up to +40°C
- ⊙ Max. Working pressure: 6bar
- ⊙ Voltage fluctuation should not exceed 10% of rated value.
- ⊙ pH: 6.5 to 8.5

Certificate



Features

- ⊙ Small size, high pressure
- ⊙ Easy installation & maintenance
- ⊙ Stainless Steel Inserts

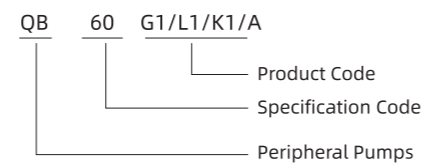
Application Fields

- ⊙ Suitable for transferring water without abrasive particles or other liquid whose properties are similar to water.
- ⊙ Widely used in garden irrigation, vegetable greenhouse water supply, breeding industry water supply and drainage, various corollary equipment, etc.

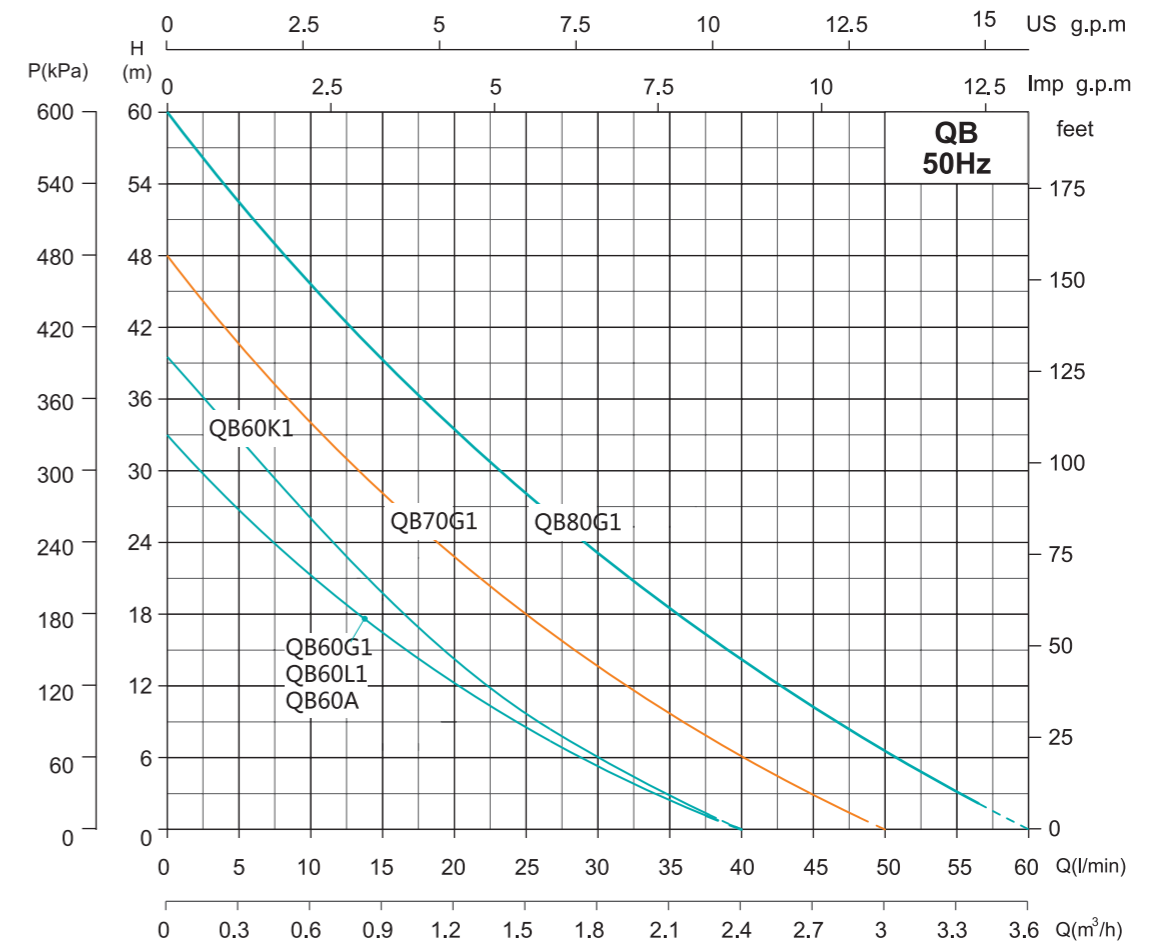
Optional Available On Request

- ⊙ 304 stainless steel welding shaft
- ⊙ Electrophoretic pump body and connections
- ⊙ Stainless steel insert
- ⊙ NSK bearing
- ⊙ Motor whose insulation class is F
- ⊙ Other voltage or frequency is 50Hz

Model Instruction



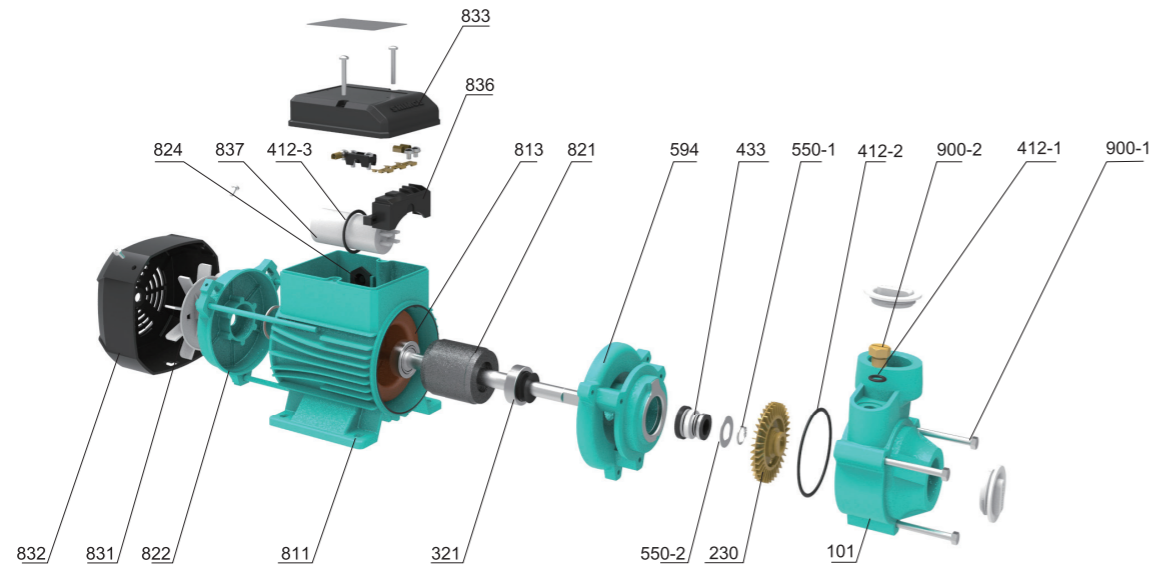
Performance Curve



Model	Power		Max. Flow (m ³ /h)	Max. Head (m)	Head Range (m)	Max. Suction (m)
	kW	HP				
QB60G1	0.37	0.5	2.4	33	1~27	8
QB70G1	0.55	0.75	3	48	1.5~44	8
QB80G1	0.75	1	3.6	60	2.5~53	8
QB60L1	0.37	0.5	2.4	33	1~27	8
QB60K1	0.37	0.5	2.4	40	1.5~30	8
QB60A	0.37	0.5	2.4	33	1~27	8

NOTE: 0.3m short-term without plug

Components & Materials

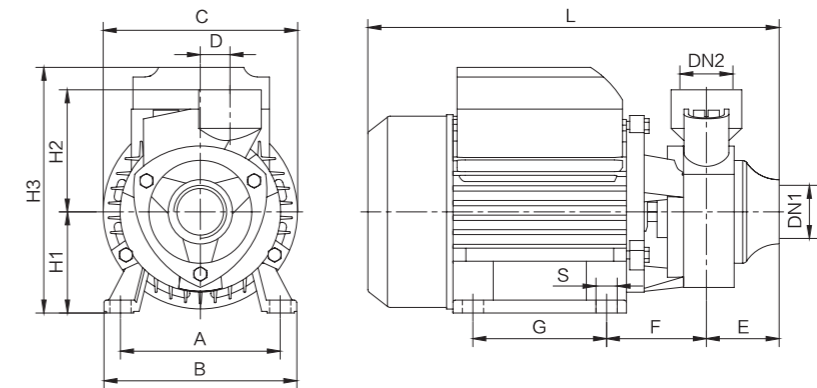


No.	Part name	No.	Part name	No.	Part name
900-1	Hexagon head bolts full thread	550-2	Flat Washers	831	fan
412-1	O-ring	594	Coupling	832	Fan cover
900-2	Vent cock	821	Rotor	837	Running capacitor
101	Pump body	813	Stator core with windings	412-3	O-ring
412-2	O-ring	321	Deep groove ball bearing	836	Terminal block
550-1	Circlip for shaft	811	chassis	833	Junction Box
230	impeller	822	Back cover	824	Cable
433	Machinery Seal				

Model	QB60G1	QB60L1	QB60K1	QB70G1	QB80G1	QB60A
Capacitor(μF)	AC10μF\450V	10 μF/450V	10 μF/450V	AC12μF\450V	AC15μF\450V	10 μF/450V
Bearing	6201-2RZ			6202-2RZ		
Motor Shaft	45#Steel+304					
Machinery Seal	108-12/21B:A(P)	103-12/20.5 B:A(P)	108-12/21B:A(P)	301-12/21 B:A (P)		
	A:Graphite B: Ceramic P:NBR					
Motor Case	Aluminum					
Coupling	Cast iron					
Pump Body	Castiron					
Impeller	Brass					

Dimensions & Weight

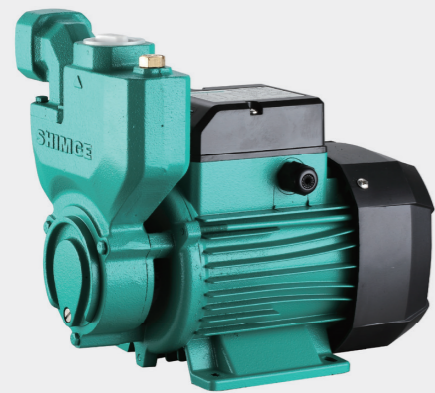
Model	DN1	DN2	Dim.(mm)											N.W. (kg)	
	Inch		A	B	C	D	E	F	G	L	S	H1	H2		H3
QB60G1	1	1	100	123	121	16	42	64	80	255	7	63	75	158	4.8
QB60L1	1	1	93	115	115	15	33.5	64	58	223	7	60	68	148	4.0
QB60K1	1	1	93	115	115	15	33.5	64.5	58	223.5	7	60	68	148	4.4
QB70G1	1	1	112	136	139	18	49.5	58.5	88	279	7	72	85	181	8
QB80G1	1	1	112	136	139	20	48	60	88	282	7	72	85	181	9.5
QB60A	1	1	97	120	120	15	41.5	68	58	247.5	7	62	68	152	4.3



Packing Size & Weight

Model	Dim.(L×W×H) mm	G.W. (kg)	Dim. For Outer Packing(L×W×H)mm	G.W. (kg)	Packing Qty. (pcs)	20'Loading Qty. (pcs)
QB60G1	280×155×185	4.8	485×290×390	29.3	6	3060
QB60L1	235×135×175	4.3	425×245×375	26.6	6	4320
QB60K1	235×135×175	4.7	425×245×375	29	6	4320
QB70G1	315×190×207	8.3	395×345×225	17.5	2	2100
QB80G1	315×190×207	9.9	395×345×225	20.5	2	2000
QB60A	270×145×177	4.5	455×280×375	27.5	6	3540





WZB

WZB

Performance Range

Max. Flow: 6m³/h
Max. Head: 55m

Application Limits

- ◎ The medium temperature of WZB series does not exceed +60°C
- ◎ The ambient temperature does not exceed +40°C ;
- ◎ The pH of the medium is between 6.5 and 8.5, the volume ratio of the medium containing solid impurities is ≤ 0.1%, and the particle size is ≤ 0.2mm;
- ◎ The maximum working pressure is 60bar;
- ◎ The highest altitude is 1000m;

Certificate



Basic Configuration

- ◎ Pump body: cast iron, stainless steel inserts
- ◎ Impeller: brass
- ◎ Axis: 45#+304
- ◎ Motor: 2-stage asynchronous motor, copper coil, fully closed fan cooling, continuous operation
- ◎ Protection level: IPX4
- ◎ Insulation class: B

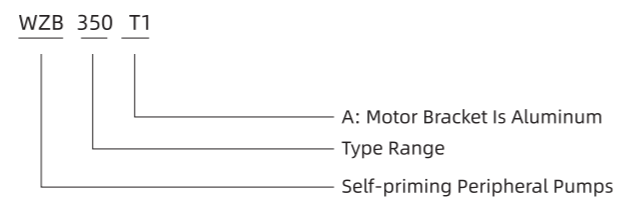
Application Fields

This series of electric pumps are small in size, light in weight, compact in structure, and simple and convenient to install. They are widely used in household pressurization, farmland irrigation, sprinkler irrigation, garden irrigation, vegetable greenhouse water supply and aquaculture water supply and drainage, and well pumping water.

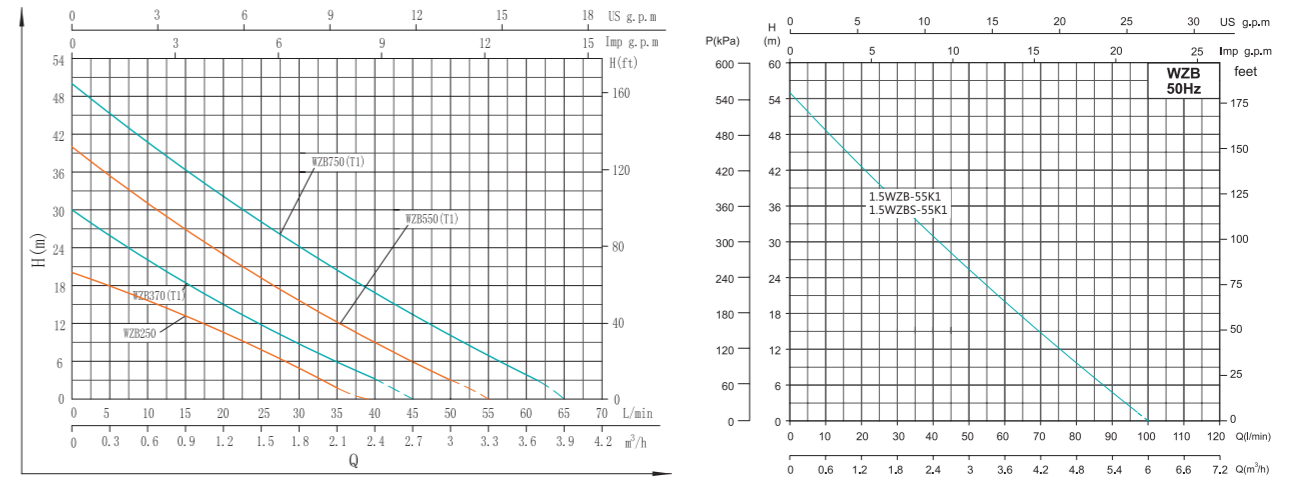
Optional Available On Request

- ◎ NSK bearing
- ◎ F-class motor

Model Instruction



Performance Curve

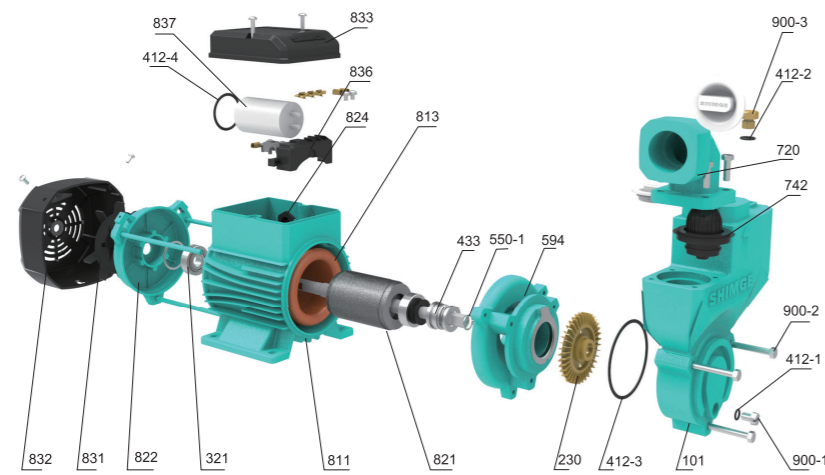


Model		Power		Max. Flow (m ³ /h)	Max. Head (m)	Head Range (m)	Max. Suction (m)
Single-Phase	Three-Phase	kW	HP				
WZB250	-	0.25	0.34	2.3	20	0~16	8
WZB370	-	0.37	0.5	2.7	30	0~27	8
WZB550	-	0.55	0.75	3.3	40	0~37	8
WZB750	-	0.75	1	3.9	50	0~47	8
WZB370T1	-	0.37	0.5	2.7	30	0~27	8
WZB550T1	-	0.55	0.75	3.3	40	0~37	8
WZB750T1	-	0.75	1	3.9	50	0~47	8
1.5WZB-55K1	1.5WZBS-55K1	1.1	1.5	6	55	1~51	8

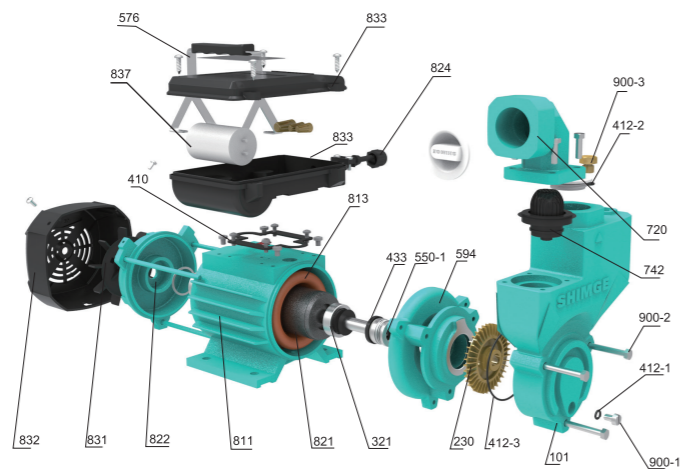
Components & Materials

Model	WZB250	WZB370	WZB550	WZB750	WZB370T1	WZB550T1	WZB750T1	1.5WZB-55K1	1.5WZBS-55K1
Capacitor	AC10μF\450V	AC10μF\450V	AC12μF\450V	AC15μF\450V	AC10μF\450V	AC12μF\450V	AC15μF\450V	25 μF/450V	/
End cap Bearing	6201-2RZ	6201-2RZ	6202-2RZ	6202-2RZ	6201-2RZ	6202-2RZ	6202-2RZ	6203-2RZ	6203-2RZ
Coupling Bearing	6201-2RZ	6201-2RZ	6202-2RZ	6202-2RZ	6201-2RZ	6202-2RZ	6202-2RZ	6204-2RZ	6204-2RZ
Motor Shaft	Steel 45#+304							Steel 45#	Steel 45#
Mechanical Seal	108-12/21& B:A(PC)	108-12/21& B:A(PC)	108-12/21& B:A(PC)	108-12/21& B:A(PC)	108-12/21& B:A(PC)	108-12/21& B:A(PC)	108-12/21& B:A(PC)	108-14/25 S:A (P)Stationary seal ring ø28	
	A: Hot graphite, B: Alumina ceramic, P: Nitrile rubber, C: Stainless steel (06Cr19Ni10)								
Motor Case	YL102	YL102	YL102	YL102	HT200	HT200	HT200	Cast iron	Cast iron
Coupling	HT200	HT200	HT200	HT200	HT200	HT200	HT200	Cast iron	Cast iron
Pump Body	HT200	HT200	HT200	HT200	HT200	HT200	HT200	Cast iron	Cast iron
Impeller	Hpb57-3	Hpb57-3	Hpb57-3	Hpb57-3	Hpb57-3	Hpb57-3	Hpb57-3	Hpb57-3	Hpb57-3

Components & Materials



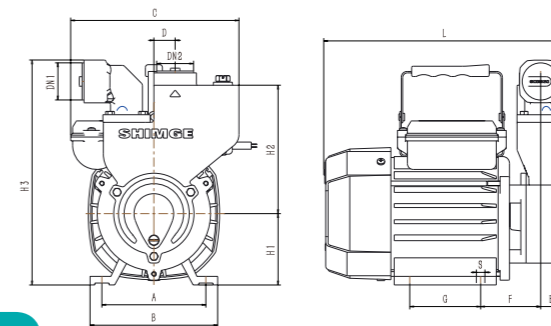
No.	Part name	No.	Part name	No.	Part name
900-3	Vent cock	230	impeller	831	fan
412-2	O-ring	594	Coupling	832	Fan cover
720	Inlet pipe	550-1	Circlip for shaft	824	Cable
742	Check valve	433	Machinery Seal	836	Terminal block
900-2	Hexagon head bolts full thread	821	Rotor	833	Junction Box
412-1	O-ring	813	Stator core with windings	837	Running capacitor
900-1	Slotted cheese head screws	811	chassis	412-4	O-ring
101	Pump body	321	Deep groove ball bearing		
412-3	O-ring	822	Back cover		



No.	Part name	No.	Part name	No.	Part name
900-3	Vent cock	230	impeller	831	fan
412-2	O-ring	594	Coupling	832	Fan cover
720	Inlet pipe	550-1	Circlip for shaft	824	Cable
742	Check valve	433	Machinery Seal	833	Junction box cover
900-2	Hexagon head bolts full thread	321	Deep groove ball bearing	576	Handle
412-1	O-ring	813	Stator core with windings	837	Running capacitor
900-1	Slotted cheese head screws	821	Rotor	410	Rubber gasket
101	Pump body	811	chassis	833	Junction Box
412-3	O-ring	822	Back cover		

Dimensions & Weight

Model		DN1	DN2	Dim.(mm)										
Single-Phase	Three-Phase	Inch		A	B	C	D	E	F	G	L	H1	H2	H3
WZB250	-	1"	1"	100	123	164	22.5	19	58.5	80	235	63	137	216
WZB370	-	1"	1"	100	123	164	22.5	19	58.5	80	235	63	137	216
WZB550	-	1"	1"	112	136	164	22.5	22	56.5	88	254	72	148	235.5
WZB750	-	1"	1"	112	136	164	22.5	22	57.5	88	253	72	148	235.5
WZB370T1	-	1"	1"	95	136	164	22.5	22	64	70	253	63	137	216
WZB550T1	-	1"	1"	110	135	164	22.5	23	63	75	235	75	148	238.5
WZB550T1	-	1"	1"	110	135	164	22.5	22	64	75	254	75	148	238.5
1.5WZB-55K1	1.5WZBS-55K1	1.5"	1.5"	114	136	198.5	31	16.5	87.5	101	286	80	168	278



Packing Size & Weight

Model		Dim.(L×W×H) mm	G.W. (kg)	Dim. For Outer Packing(L×W×H)mm	G.W. (kg)	20'Loading Qty. (pcs)
Single-Phase	Three-Phase					
WZB250	-	280x215x275	6.5	280x215x275	6.5	1728
WZB370	-	280x215x275	7.3	280x215x275	7.3	1728
WZB550	-	305x230x300	9.7	305x230x300	9.7	1330
WZB750	-	305x230x300	10.5	305x230x300	10.5	1330
WZB370T1	-	280x215x275	9.1	280x215x275	9.1	1728
WZB550T1	-	305x230x300	11.7	305x230x300	11.7	1330
WZB750T1	-	305x230x300	13.7	305x230x300	13.7	1330
1.5WZB-55K1	1.5WZBS-55K1	305x230x300	18.5/19	310x215x305	18.5/19	1470





Application Limits

- ⊙ Suction lift up to 8 m
- ⊙ Max. working pressure 5 bar
- ⊙ Liquid temperature up to +90°C
- ⊙ Ambient temperature up to +40°C
- ⊙ Voltage fluctuations should not exceed 10% of rate value

Certificate



Application Limits

- ⊙ Suitable for use with clean water that does not contain abrasive particles or other similar water of liquid.
- ⊙ widely used domestic water , automatic boosting , water tower supply, well water lifting, solar hot water boosting.

Motor

- ⊙ Single phase motor, copper wires, built-in thermal protector, fully enclosed motor shell
- ⊙ Continuous service S1
- ⊙ IPX4 class protection
- ⊙ Class B insulation

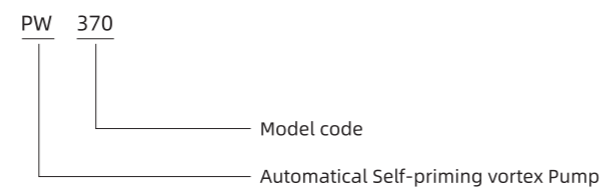
Application Fields

- ⊙ Compact design, easy installation
- ⊙ Pressure and flow switch control automatically
- ⊙ Pump body insert of stainless sheet 304
- ⊙ Shaft extension is stainless steel 304
- ⊙ The impeller of copper alloy
- ⊙ High quality mechanical seal

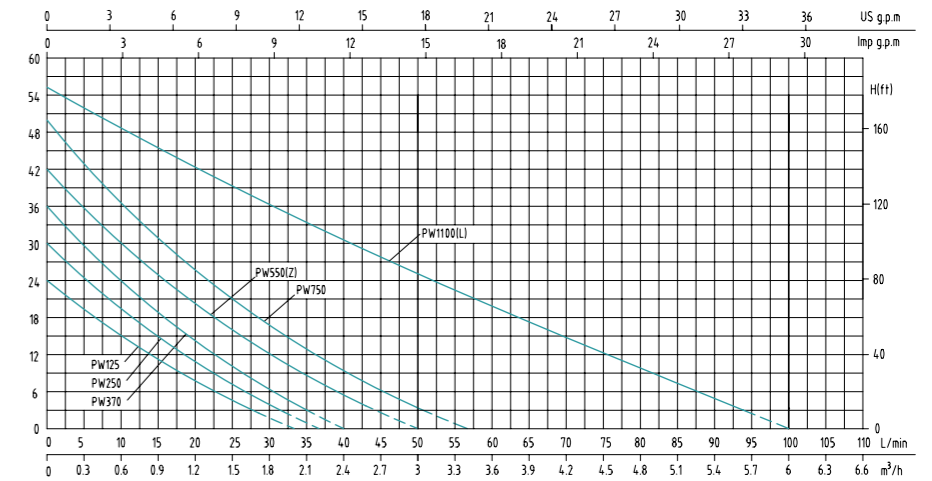
Optional Available On Request

- ⊙ NSK bearing
- ⊙ Class F insulation

Model Instruction



Performance Curve

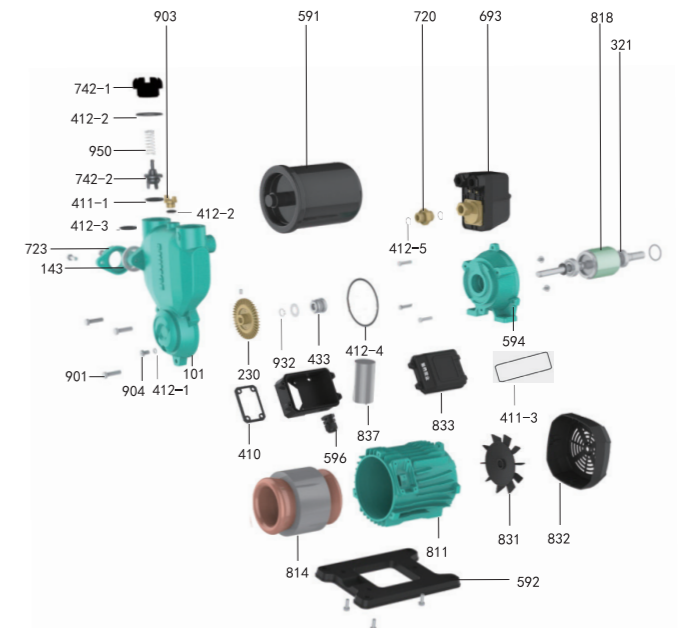


Model	Power		Max. Flow (m³/h)	Max. Head (m)	Head Range (m)	Max. Suction (m)
	kW	HP				
PW125	0.125	0.17	2	24	1~20	8
PW250	0.25	0.34	2.2	30	1~26	8
PW370	0.37	0.5	2.4	36	1~32	8
PW550	0.55	0.75	3.0	42	1.5~38	8
PW750	0.75	1	3.4	50	1.5~46	8
PW1100	1.1	1.5	6	55	1.5~51	8
PW1100L	1.1	1.5	6	55	1.5~51	8

Note: The cable length of single phase pump is 1.3m, Europe plug.

Components & Materials

No.	Part name
752	Check valve seat
143	Filter assembly
594	Connector body
230	Impeller
592	Base
903	Vent cock
950	Spring
932	Circlip for shaft
814	Stator core with winding
693	Pressure switch assembly
831	Fan\QB60

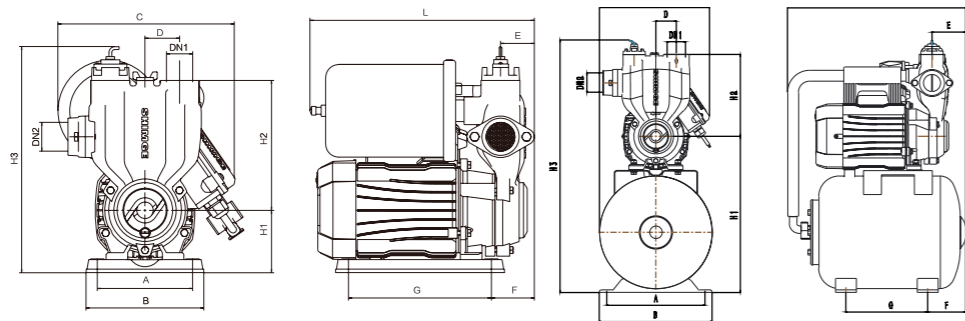


No.	Part name	No.	Part name	No.	Part name
723	Inlet pipe	433	Mechanical seal	411-1	Rubber washer
591	Pressure tank	720	Adapter	412-5	O-ring
811	Casing	410	Rubber gasket	412-3	O-ring
596	Cable lock	832	Fan cover	412-1	O-ring
101	Pump body	837	Running capacitor	412-4	O-ring
904	Slotted cheese head screw	411-2	Rubber washer	901	Hexagon head bolt
321	Deep groove ball bearing	411-3	Rubber washer		
833	Junction box assembly	412-2	O-ring		

Model	PW125	PW250	PW370	PW550	PW750	PW1100(L)
Capacitor(μF)	10μF/450V	10μF/450V	10μF/450V	12μF/450V	18μF/450V	25μF/450V
End cap Bearing	6201-2RZ	6201-2RZ	6201-2RZ	6202-2RZ	6202-2RZ	6203-2RZ
Connection Part Bearing	6201-2RZ	6201-2RZ	6201-2RZ	6202-2RZ	6202-2RZ	6203-2RZ
Motor Shaft	Steel 45#+304					
Mechanical Seal	108-12 S:A (PC)					108-14/25 S:A (PC)
	A: Graphite,B:Alumina ceramic,P:NBR,C:stainless steel(06Cr19Ni10)					
Motor Case	Aluminum					
Coupling	Cast Iron					
Pump Body	Cast Iron					
Impeller	Brass					

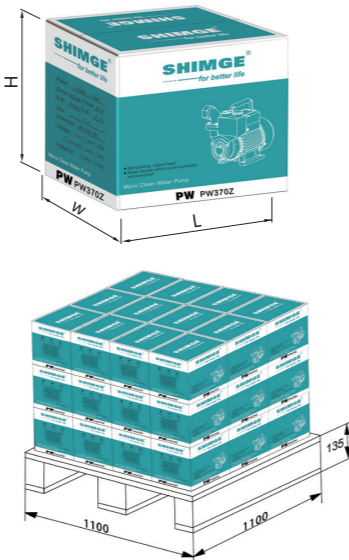
Dimensions & Weight

Model	DN		Dim.(mm)											N.W. (kg)
	Inch	Inch	A	B	C	D	E	F	G	L	H1	H2	H3	
PW125	3/4	3/4	110	136	204	46	39	49.5	165	259	72	150	245.5	7.8
PW250	1	1	110	136	204	40	39	49.5	165	259	72	150	245.5	8.5
PW370	1	1	110	136	204	40	39	49.5	165	259	72	150	245.5	8.8
PW550	1	1	132	160	212	50	39	41.5	190	268	84	170	285	11.4
PW750	1	1	132	160	212	50	39	41.5	190	268	84	170	285	13.1
PW1100	1.5	1.5	145	210	254	49	50	54	205	330	96	196	127	20.5
PW1100L	1.5	1.5	235	270	264	49	81	91	196	427	347	196	605	24.6



Packing Size & Weight

Model	Dim.(L×W×H) mm	G.W. (kg)	20'Loading Qty. (pcs)
PW125	295×230×300	8.3	1600
PW250	295×230×300	9.0	1600
PW370	295×230×300	9.3	1600
PW550	315×245×325	12.1	1320
PW750	315×245×325	13.8	1320
PW1100	365×280×380	21.7	720
PW1100L	515×320×640	26.3	260



PW-Z

Application Limits

- ⊙ Suction lift up to 8 m
- ⊙ Max. working pressure 5 bar
- ⊙ Liquid temperature up to +90°C
- ⊙ Ambient temperature up to +40°C
- ⊙ Voltage fluctuations should not exceed 10% of rate value

Certificate



Application Limits

- ⊙ Suitable for use with clean water that does not contain abrasive particles or other similar water of liquid.
- ⊙ widely used domestic water , automatic boosting , water tower supply, well water lifting, solar hot water boosting.

Motor

- ⊙ Single phase motor, copper wires, built-in thermal protector, fully enclosed motor shell
- ⊙ Continuous service S1
- ⊙ IPX4 class protection
- ⊙ Class B insulation

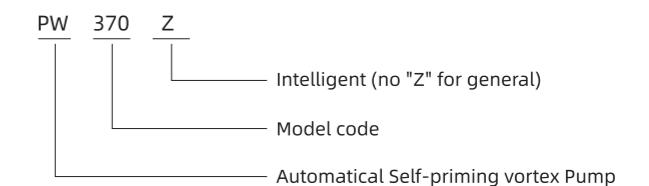
Application Fields

- ⊙ Compact design, easy installation
- ⊙ Pressure and flow switch control automatically
- ⊙ Pump body insert of stainless sheet 304
- ⊙ Shaft extension is stainless steel 304
- ⊙ The impeller of copper alloy
- ⊙ High quality mechanical seal

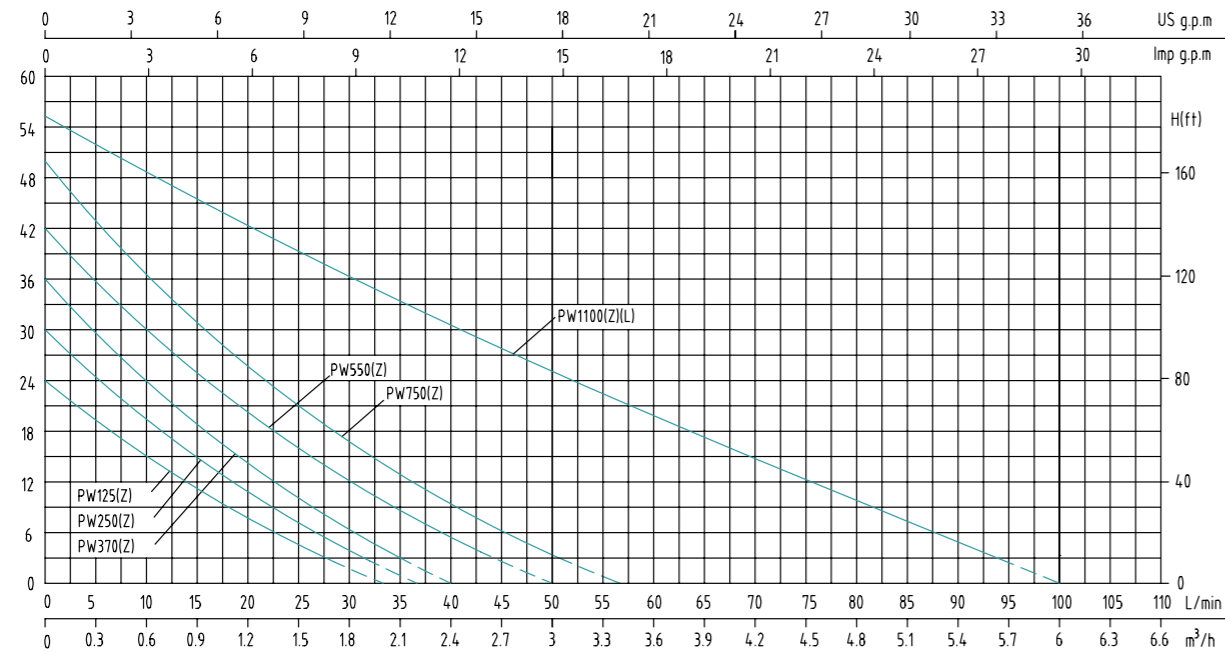
Optional Available On Request

- ⊙ NSK bearing
- ⊙ Class F insulation

Model Instruction



Performance Curve

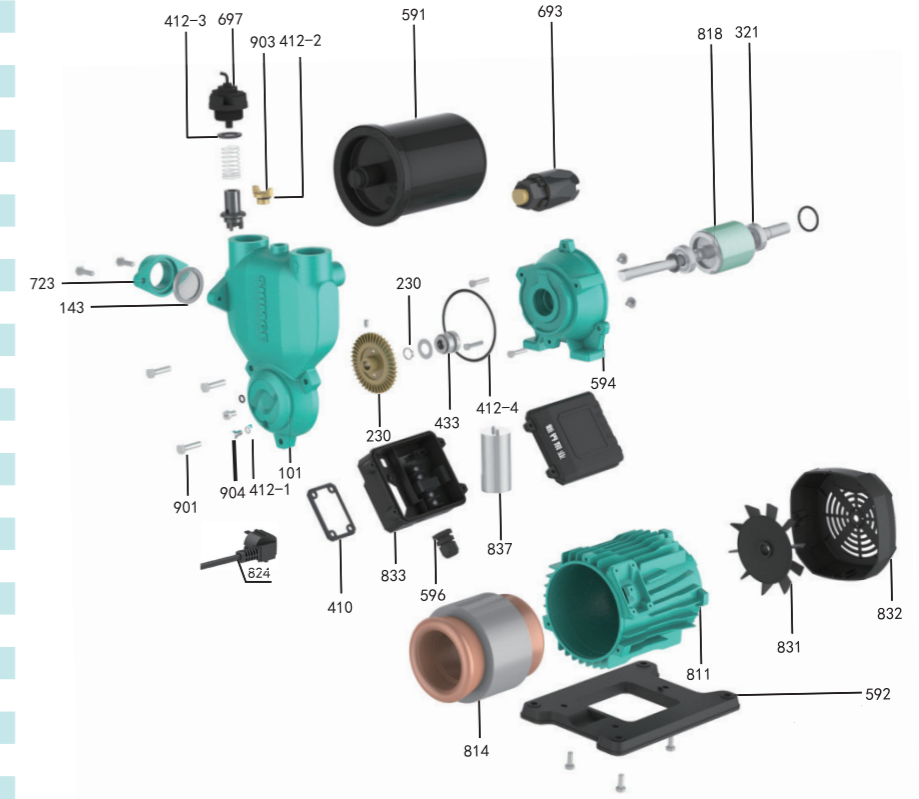


Model	Power		Max. Flow (m³/h)	Max. Head (m)	Head Range (m)	Max. Suction (m)
	kW	HP				
PW125Z	0.125	0.17	2	24	1~20	8
PW250Z	0.25	0.34	2.2	30	1~26	8
PW370Z	0.37	0.5	2.4	36	1~32	8
PW550Z	0.55	0.75	3.0	42	1.5~38	8
PW750Z	0.75	1	3.4	50	1.5~46	8
PW1100Z	1.1	1.5	6	55	1.5~51	8
PW1100ZL	1.1	1.5	6	55	1.5~51	8

Note: The cable length of single phase pump is 1.3m, Europe plug.

Components & Materials

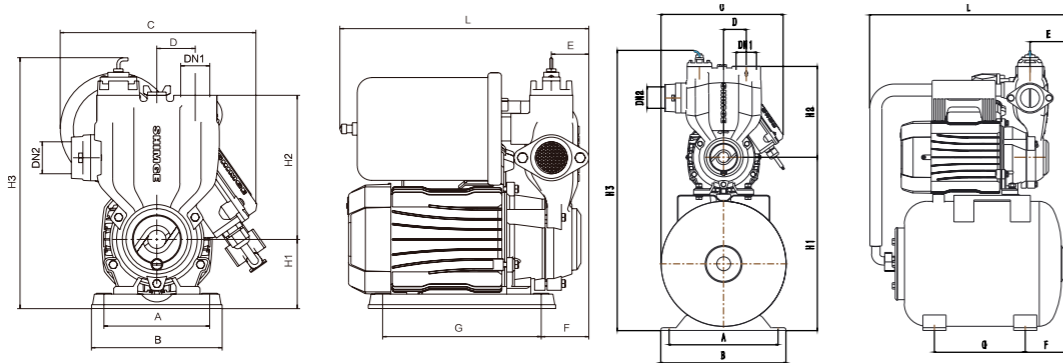
No.	Specifications
412-2	O-ring
412-3	O-ring
412-1	O-ring
412-4	O-ring
101	Pump body
592	Base
596	Cable lock
824	Cable (domestic)
903	Vent cock
831	Fan\QB60
832	Fan cover
143	Filter assembly
811	Casing
433	Mechanical seal
723	Inlet pipe
904	Slotted cheese head screw
833	Control box assembly
594	Connector body
697	Flow switch
321	Deep groove ball bearing
410	Rubber gasket
411	Rubber washer
591	Pressure tank
693	Pressure switch
230	Impeller
814	Stator core with winding
837	Running capacitor
932	Circlip for shaft
818	Rotor
901	Hexagon head bolt



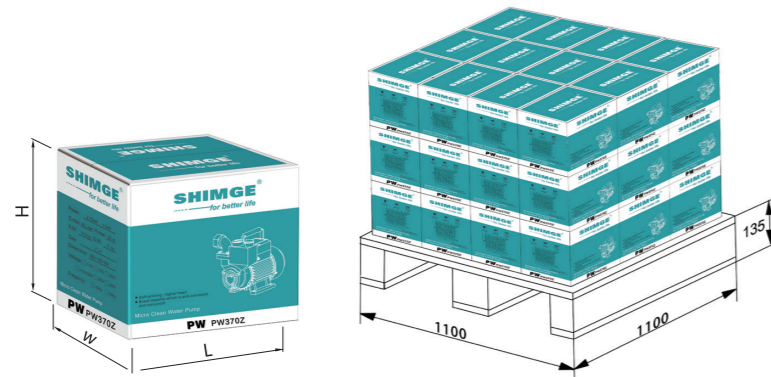
Model	PW125Z	PW250Z	PW370Z	PW550Z	PW750Z	PW1100Z(L)
Capacitor(μF)	10μF/450V	10μF/450V	10μF/450V	12μF/450V	18μF/450V	25μF/450V
End cap Bearing	6201-2RZ	6201-2RZ	6201-2RZ	6202-2RZ	6202-2RZ	6203-2RZ
Connection Part Bearing	6201-2RZ	6201-2RZ	6201-2RZ	6202-2RZ	6202-2RZ	6203-2RZ
Motor Shaft	Steel 45#+304					
Mechanical Seal	108-12 S:A (PC) Φ26	108-12 S:A (PC)	108-12 S:A (PC)	108-12 S:A (PC)	108-12 S:A (PC)	108-14/25 S:A (PC)
	A: Graphite, B: Alumina ceramic, P: NBR, C: stainless steel (06Cr19Ni10) S: Reactive Sintered Silicon Carbide, T: Polytetrafluoroethylene					
Motor Case	Aluminum					
Coupling	CastIron					
Pump Body	CastIron					
Impeller	Brass					

Dimensions & Weight

Model	DN1	DN2	Dim.(mm)										N.W. (kg)	
	Inch	Inch	A	B	C	D	E	F	G	L	H1	H2		H3
PW125Z	3/4	3/4	110	136	204	46	39	49.5	165	259	72	150	245.5	7.8
PW250Z	1	1	110	136	204	40	39	49.5	165	259	72	150	245.5	8.5
PW370Z	1	1	110	136	204	40	39	49.5	165	259	72	150	245.5	8.8
PW550Z	1	1	132	160	212	50	39	41.5	190	268	84	170	285	11.4
PW750Z	1	1	132	160	212	50	39	41.5	190	268	84	170	285	13.1
PW1100Z	1.5	1.5	145	210	254	49	50	54	205	330	96	196	127	20.5
PW1100ZL	1.5	1.5	235	270	264	49	81	91	196	427	347	196	605	24.6



Model	Dim.(LxWxH) mm	G.W. (kg)	20'Loading Qty. (pcs)
PW125Z	295x230x300	8.3	1600
PW250Z	295x230x300	9.0	1600
PW370Z	295x230x300	9.3	1600
PW550Z	315x245x325	12.1	1320
PW750Z	315x245x325	13.8	1320
PW1100Z	365x280x380	21.7	720
PW1100ZL	515x320x640	26.3	260



PW-F

Application Limits

- ⊙ Suction lift up to 8 m
- ⊙ Max. working pressure 5 bar
- ⊙ Liquid temperature up to +90°C
- ⊙ Ambient temperature up to +40°C
- ⊙ Voltage fluctuations should not exceed 10% of rate value

Certificate



Application Limits

- ⊙ Suitable for use with clean water that does not contain abrasive particles or other similar water of liquid.
- ⊙ widely used domestic water , automatic boosting , water tower supply, well water lifting, solar hot water boosting.

Motor

- ⊙ Single phase motor, copper wires, built-in thermal protector, fully enclosed motor shell
- ⊙ Continuous service S1
- ⊙ IPX4 class protection
- ⊙ Class B insulation

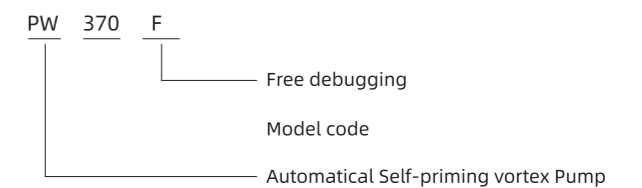
Application Fields

- ⊙ Compact design, easy installation
- ⊙ Pressure and flow switch control automatically
- ⊙ Pump body insert of stainless sheet 304
- ⊙ Shaft extension is stainless steel 304
- ⊙ The impeller of copper alloy
- ⊙ High quality mechanical seal

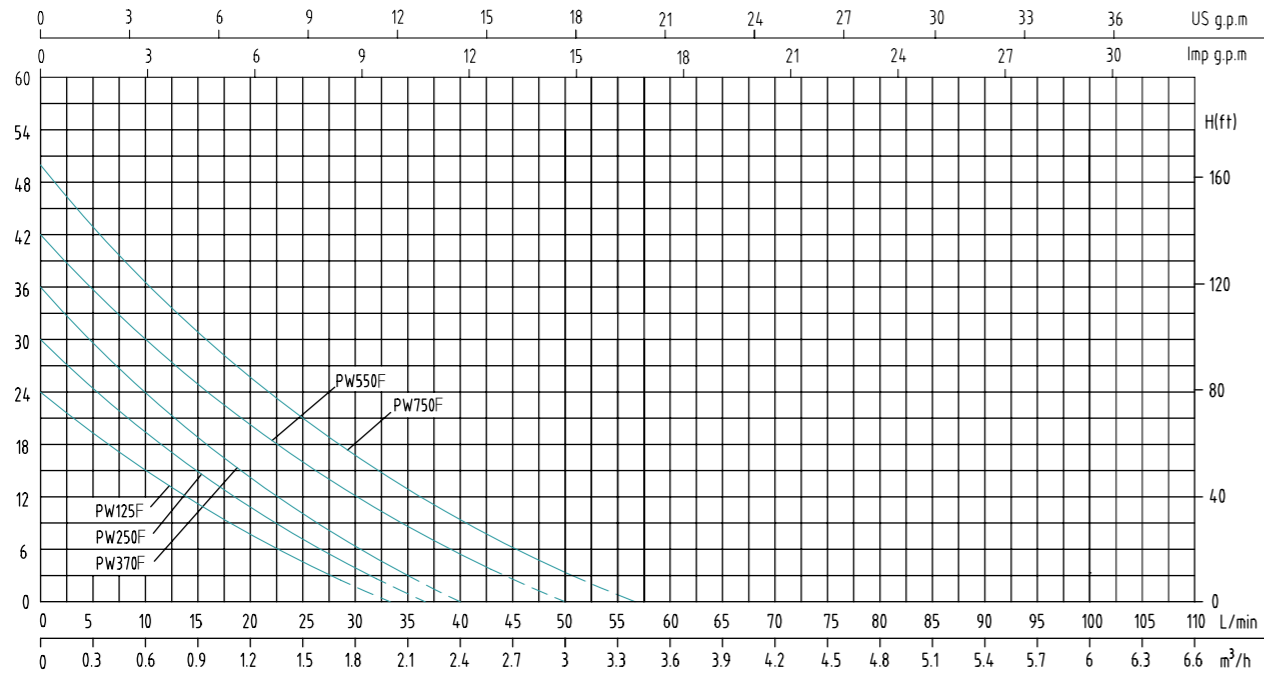
Optional Available On Request

- ⊙ NSK bearing
- ⊙ Class F insulation

Model Instruction



Performance Curve

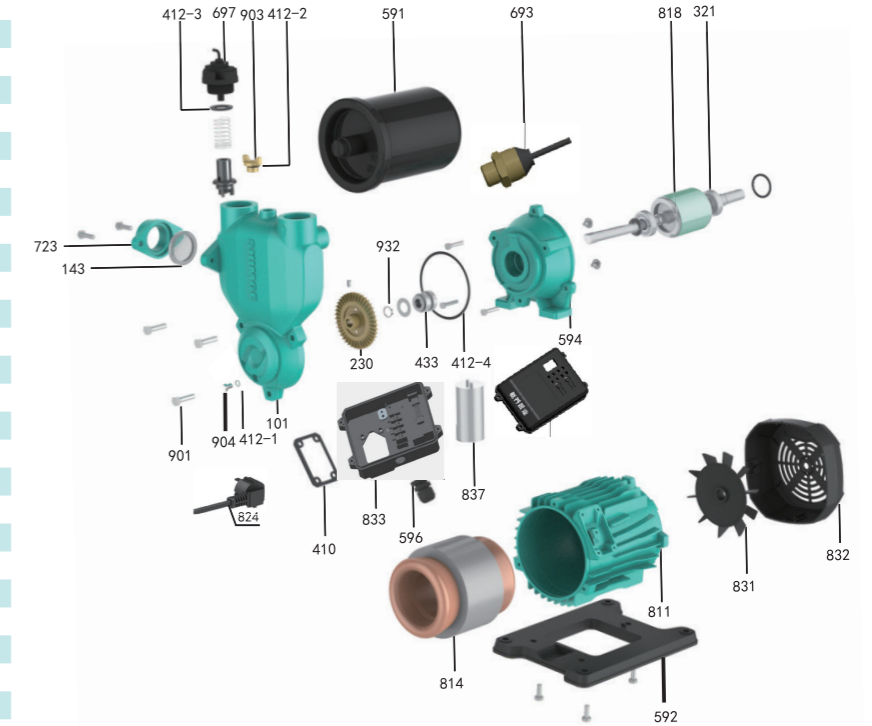


Model	Power		Max. Flow (m³/h)	Max. Head (m)	Head Range (m)	Max. Suction (m)
	kW	HP				
PW125F	0.125	0.17	2	24	0~20	8
PW250F	0.25	0.34	2.2	30	0~26	8
PW370F	0.37	0.5	2.4	36	0~32	8
PW550F	0.55	0.75	3.0	42	0~38	8
PW750F	0.75	1	3.4	50	0~46	8

Note: The cable length of single phase pump is 1.3m, Europe plug.

Components & Materials

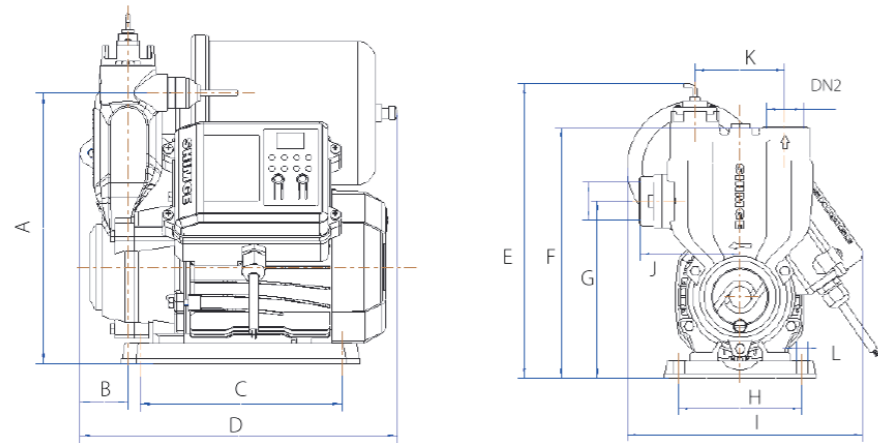
No.	Specifications
412-2	O-ring
412-1	O-ring
412-3	O-ring
412-4	O-ring
832	Fan cover
143	Filter assembly
831	Fan\QB60
818	Rotor
811	Casing
693	Pressure sensor
596	Cable lock
594	Connector body
591	Pressure tank
932	Circlip for shaft
433	Mechanical seal
903-2	Vent cock
837	Running capacitor
833	Control box assembly
824	Cable (domestic)
723	Inlet pipe
101	Pump body
903-1	Slotted cheese head screw
814	Stator core with winding
697	Flow switch
592	Base
411	Rubber washer
410	Rubber gasket
321	Deep groove ball bearing
230	Impeller
901	Hexagon head bolt



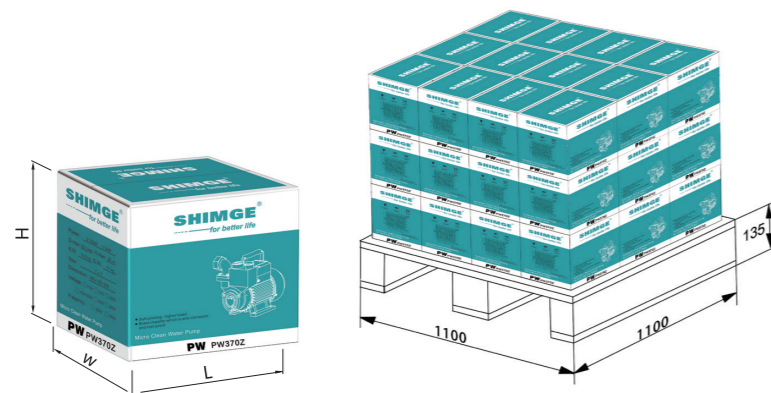
Model	PW125F	PW250F	PW370F	PW550F	PW750F
Capacitor(μF)	8μF/450V	10μF/450V	10μF/450V	12μF/450V	18μF/450V
End cap Bearing	6201-2RZ	6201-2RZ	6201-2RZ	6202-2RZ	6202-2RZ
Connection Part Bearing	6201-2RZ	6201-2RZ	6201-2RZ	6202-2RZ	6202-2RZ
Motor Shaft	Steel 45#+304				
Mechanical Seal	108-12 S:A (PC) A: Graphite,B:Alumina ceramic,P:NBR,C:stainless steel(06Cr19Ni10)				
Motor Case	Aluminum				
Coupling	Cast Iron				
Pump Body	Cast Iron				
Impeller	Brass				

Dimensions & Weight

Model	DN		Dim.(mm)												N.W. (kg)
	DN1	DN2	A	B	C	D	E	F	G	H	I	J	K	L	
PW125F	3/4	3/4	202	39	165	259	261	222	157	110	210	89	80	9	7.8
PW250F	1	1	202	39	165	259	261	222	157	110	210	89	80	9	8.5
PW370F	1	1	202	39	165	259	261	222	157	110	210	89	80	9	8.8
PW550F	1	1	224	39	190	265	293	254	189	132	218	101	100	9	11.4
PW750F	1	1	224	39	190	266	293	254	189	132	218	101	100	9	13.1



Model	Dim.(L×W×H) mm	G.W. (kg)	20'Loading Qty. (pcs)
PW125F	295×230×300	8.3	1600
PW250F	295×230×300	9.0	1600
PW370F	295×230×300	9.3	1600
PW550F	315×245×325	12.1	1320
PW750F	315×245×325	13.8	1320



Performance Range

Max. Flow: 3.6m³/h
Max. Head: 44m

Application Limits

- ⊙ The ambient temperature is -15°C ~+40°C
- ⊙ The temperature range of PZ medium is 0°C ~+60°C ;
- ⊙ The pH of the medium is between 6.5 and 8.5
- ⊙ The volume ratio of solid impurities is not more than 0.1%, and the particle size is not more than 0.2mm
- ⊙ The power frequency is 60Hz, the voltage is single-phase AC 220V/110V, and the voltage fluctuation range is ±10% of the rated value.

Certificate



Basic Configuration

The PZ series of automatic vortex self-priming electric pumps (hereafter referred to as electric pumps) comply with Q/SG 202 standards. The electric pump is mainly composed of four parts: electric motor, water pump, sealing and control system. The motor is an asynchronous motor, and the impeller structure of the electric pump is vortex type. It has the characteristics of small flow, high head and self-priming. The electric pump is equipped with a control system. According to the change of water pressure or flow, the automatic operation of the electric pump is practiced, that is, the valve is opened. Automatic operation, close the valve, the electric pump will stop automatically, no need to turn off the power manually. This series of products has the function of stable water supply. The electric pump is small in size, light in weight, compact in structure and simple and convenient to install. It is an ideal household electric pump with high efficiency, energy saving, sanitation and safety. It is suitable for garden irrigation, pipeline pressurization, and wells. Use water pumping, water tower for pressurization, tap water pressurization, vegetable greenhouse watering, and water supply and drainage for aquaculture and other occasions.

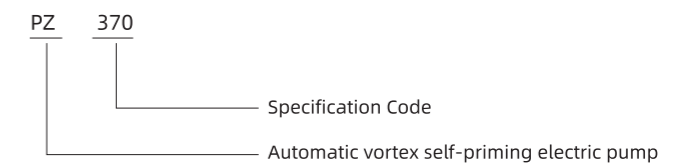
Application Fields

It is suitable for garden irrigation, pipeline pressurization, well water lifting, water tower water pressurization, tap water pressurization, vegetable greenhouse watering, and water supply and drainage for aquaculture

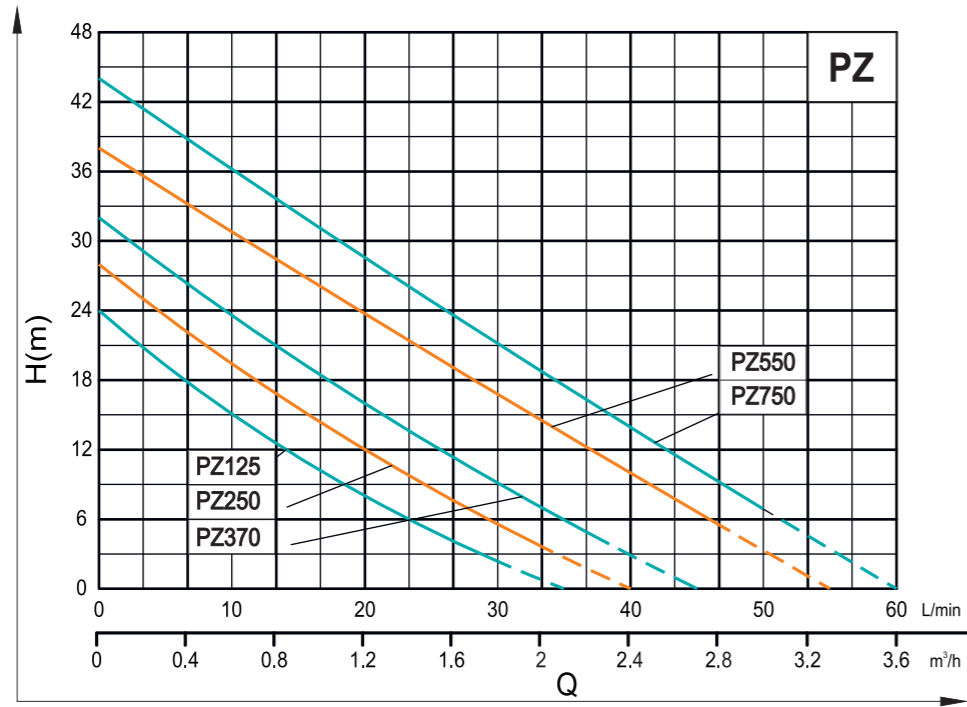
Optional Available On Request

- ⊙ NSK bearing
- ⊙ Class F insulation

Model Instruction



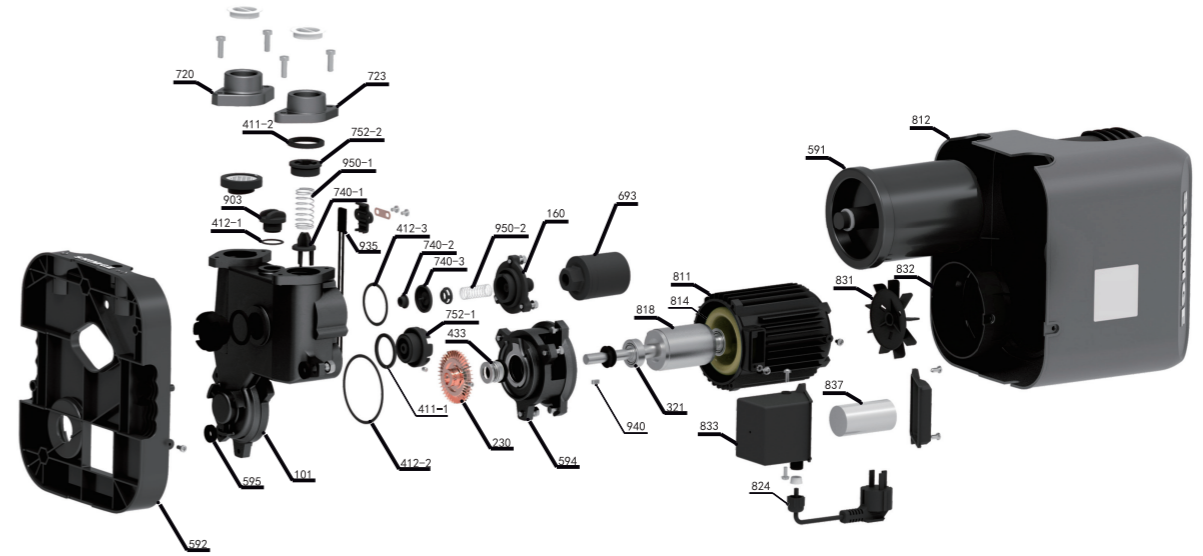
Performance Curve



Model	Power		Max. Flow (m³/h)	Max. Head (m)	Head Range (m)	Max. Suction (m)
	kW	HP				
PZ125	0.125	0.17	2.1	24	0~20	6
PZ250	0.25	0.34	2.4	28	0~24	6
PZ370	0.37	0.5	2.7	32	0~28	6
PZ550	0.55	0.75	3.3	38	0~34	6
PZ750	0.75	1	3.6	44	0~40	6

NOTE: 0.3m short-term without plug

Components & Materials

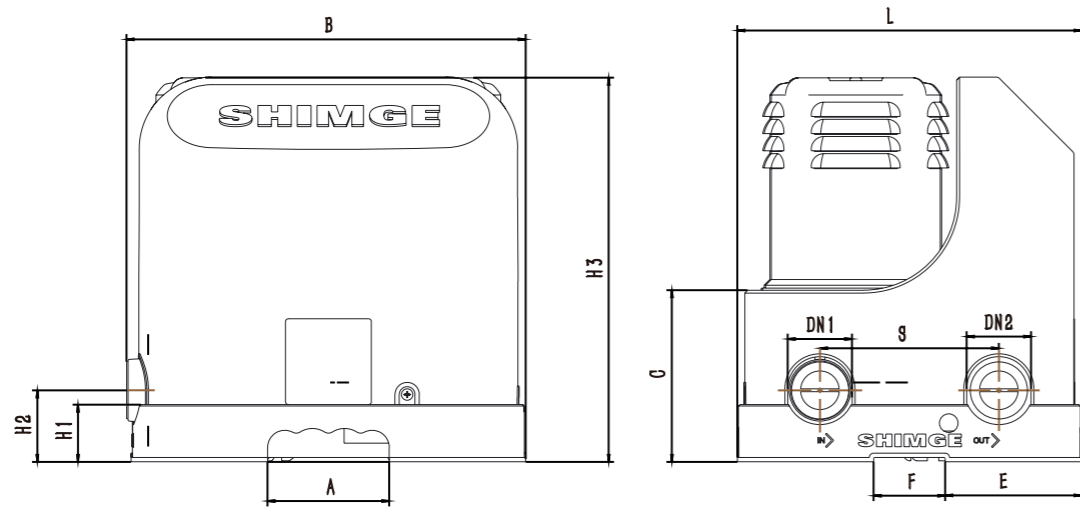


No.	Part name	No.	Part name	No.	Part name
742-1	Valve sleeve	903	Vent cock	101	Pump body
740-2	Diaphragm seat	742-2	Check valve with filter	950-2	Small spring
230	Impeller	740-3	Diaphragm	740-1	Flow stabilizing valve
752-1	Check valve seat	412-3	O-ring	433	Mechanical seal
412-2	O-ring	837	Running capacitor	594	Connector body
824	Cable (domestic)	833	Junction box	935	External thermal protector
723	Inlet pipe	818	Rotor	832	Fan cover
940	Ordinary flat key	812	Outer housing	693	Pressure switch
412-1	O-ring	720	Outlet pipe	591	Pressure tank
752-2	Flow stabilizer Locating sleeve	410	Rubber washer	321	Deep groove ball bearing
950-1	Large spring	160	Flow stabilizer cover	831	Fan\QB60
411	Rubber washer	811	Casing	814	Stator core with winding
592	Base	595	Rubber ring		

Model	PZ125	PZ250	PZ370	PZ550	PZ750
Capacitor	AC10μF\450V	AC10μF\450V	AC12μF\450V	AC12μF\450V	AC18μF\450V
End cap Bearing	6201-2RZ	6201-2RZ	6201-2RZ	6202-2RZ	6202-2RZ
Connection Part Bearing	6201-2RZ	6201-2RZ	6201-2RZ	6202-2RZ	6202-2RZ
Motor Shaft	45#+304#	45#+304#	45#+304#	45#+304#	45#+304#
Mechanical Seal	108-12/21&B:A(RC) NBR26	108-12/21&B:A(RC) NBR26	108-12/21&B:A(RC) NBR26	108-12/21&B:A(RC) NBR26	108-12/21&B:A(RC) NBR26
Motor Case	Aluminum	Aluminum	Aluminum	Aluminum	Aluminum
Coupling	cast iron	cast iron	cast iron	cast iron	cast iron
Pump Body	cast iron	cast iron	cast iron	cast iron	cast iron
Impeller	copper	copper	copper	copper	copper

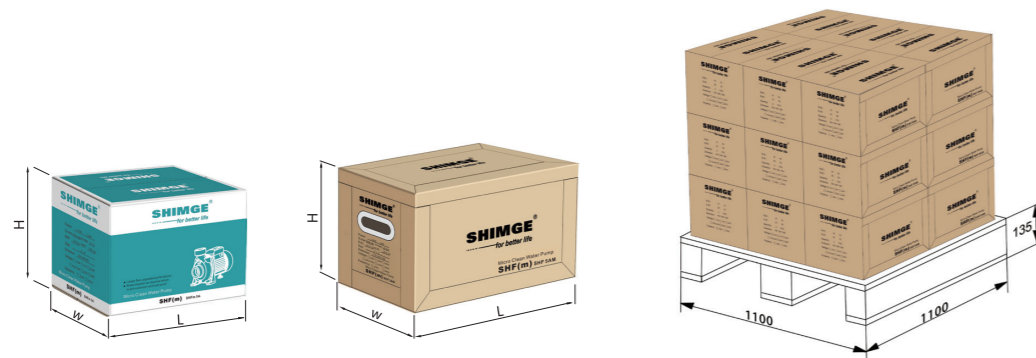
Dimensions & Weight

Model	DN		Dim.(mm)										N.W. (kg)
	Inch		A	B	C	E	F	L	H1	H2	H3	S	
PZ125	1	1	85	279	120	95	50	241	40	50	269	125	10.2
PZ250	1	1	85	279	120	95	50	241	40	50	269	125	10.9
PZ370	1	1	85	279	120	95	50	241	40	50	269	125	11.2
PZ550	1	1	85	305	144	105	60	270	45	56.5	295	155	13.5
PZ750	1	1	85	305	144	105	60	270	45	56.5	295	155	15.3



Packing Size & Weight

Model	Dim.(L×W×H) mm	N.W. (kg)	G.W. (kg)	20'Loading Qty. (pcs)
PZ125	330×300×310	10.2	10.9	884
PZ250	330×300×310	10.9	11.7	884
PZ370	330×300×310	11.2	12.2	884
PZ550	370×340×255	14.0	15.0	627
PZ750	370×340×255	14.9	15.9	627



Performance Range

Max. Flow: 8.4m³/h
Max. Head: 55m

Certificate



Application Limits

- ⊙ Suction head up to 7m
- ⊙ Liquid temperature up to +40°C
- ⊙ Ambient temperature up to +40°C
- ⊙ Max. Working pressure: 6bar
- ⊙ Voltage fluctuation should not exceed 10% of rated value.
- ⊙ pH: 6.5 to 8.5

Basic Configuration

- ⊙ Pump body: cast iron
- ⊙ Impellers: brass
- ⊙ Shaft: brass+#304
- ⊙ Mechanical sealing: ceramic / graphite / NBR rubber
- ⊙ Motor: two asynchronous motors, copper coils, built-in thermal protection, all closed fan-cooled, continuous operation
- ⊙ Protection: IPX4
- ⊙ Insulation class: B

Application Fields

- ⊙ Suitable for transferring water without abrasive particles or other liquid whose properties are similar to water.
- ⊙ Widely used in garden irrigation, vegetable greenhouse water supply, breeding industry water supply and drainage, various corollary equipment, etc.

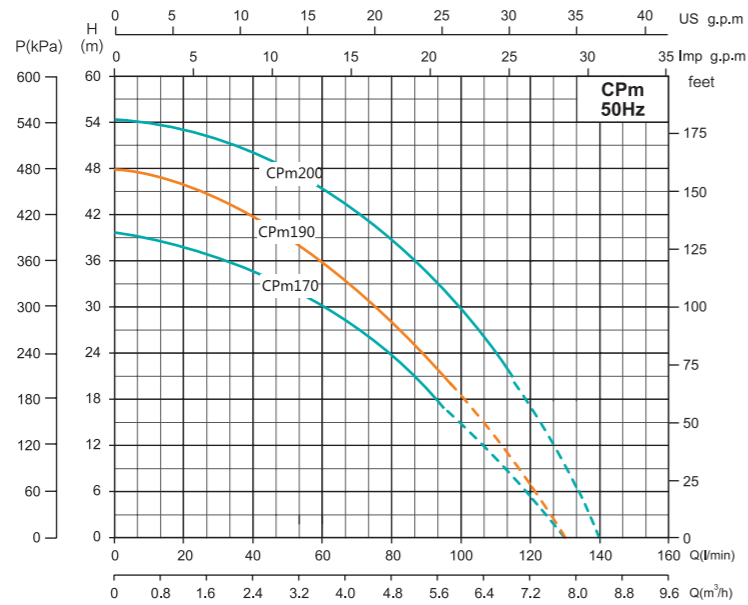
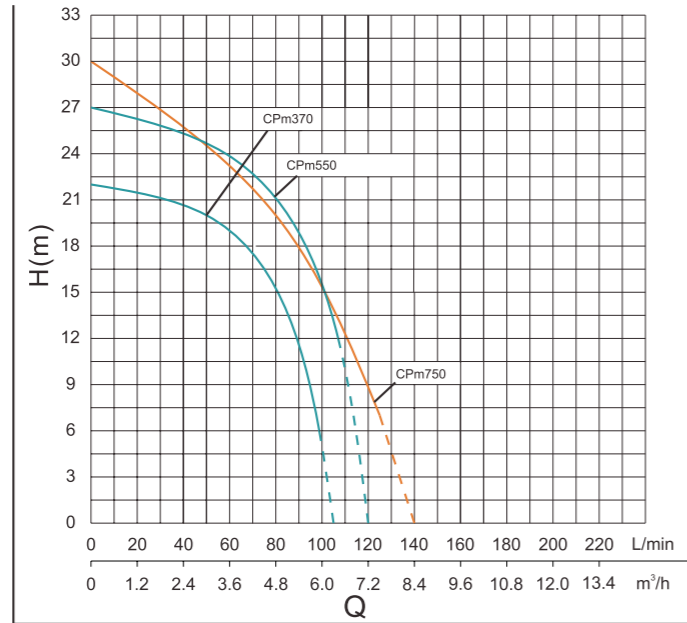
Optional Available On Request

- ⊙ 304 stainless steel welding shaft
- ⊙ Electrophoretic pump body and connections
- ⊙ C&U bearing
- ⊙ Motor whose insulation class is B

Model Instruction

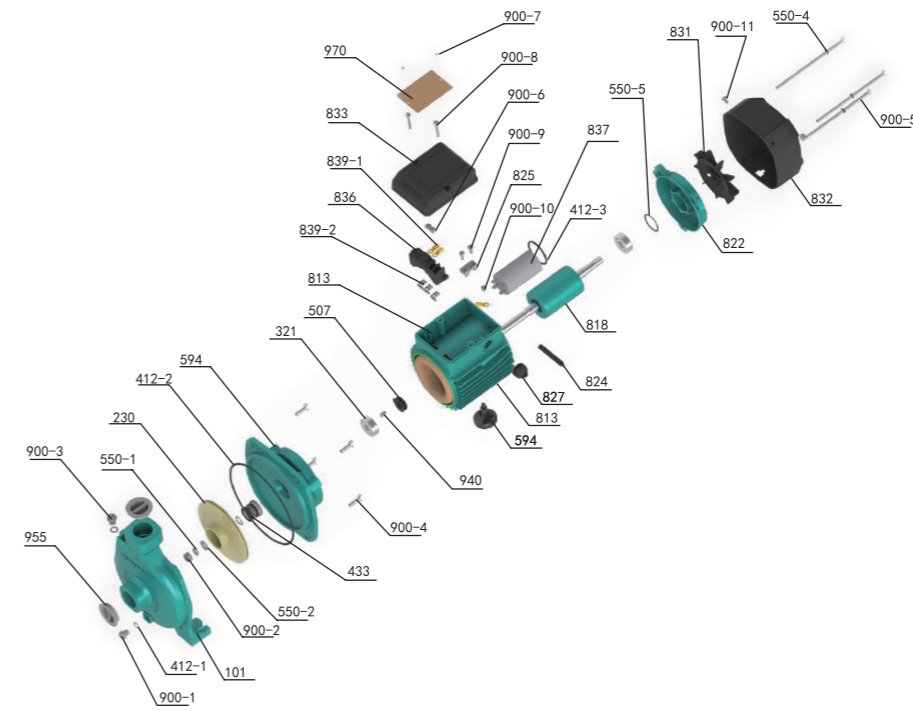


Performance Curve



Model	Power		Max. Flow (m³/h)	Max. Head (m)	Head Range (m)	Max. Suction (m)
	kW	HP				
CPm370	0.37	0.5	6	22	8~22	7
CPm550	0.55	0.75	6.6	26	11~26	7
CPm750	0.75	1	7.2	32	14~32	7
CPm170	0.55	0.75	7.8	40	17~40	7
CPm190	0.75	1	7.8	48	20~48	7
CPm200	0.75	1	8.4	55	20~55	7

Components & Materials



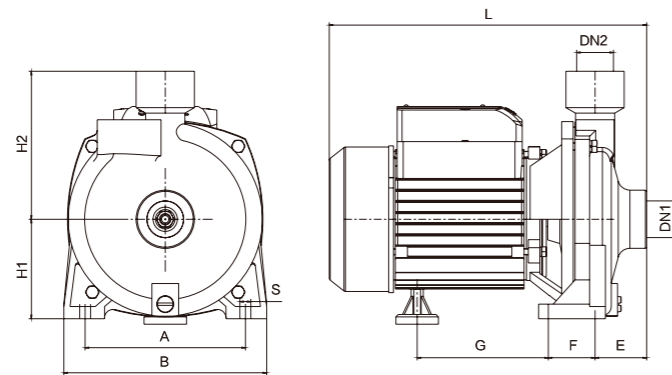
No.	Specifications
955	Dust cover
900-3	Vent cock
550-1	Spring washer
220	Impeller
412-2	O-ring
594	Connector
321	Deep groove ball bearing
507	Water retaining ring
813	Stator
900-1	Slotted cheese head screw
839-2	Insert spring 6.3
836	Terminal block
839-1	Closed wiring terminal
833	Junction box
970	Nameplate
900-7	Rivet
900-8	Hexagon cross recessed pan head screw
900-6	Cross recessed flange screw
900-9	Hexagon cross recessed pan head screw
825	Cable pressing plate
900-10	Hexagon cross recessed pan head screw
837	Running capacitor

No.	Specifications	No.	Specifications	No.	Specifications
412-3	O-ring	822	Rear end cover	900-4	Hexagon head bolt
550-5	Wave spring	818	Rotor	433	Mechanical seal
831	Fan	824	Cable	550-2	Flat washer
900-11	Cross recessed flange screw	827	Cable sheath	900-2	Type I hexagon nut
550-4	Spring washer	813	Stator	101	Pump body
900-5	Hexagon bolt	594	Foot	412-1	O-ring
832	Fan cover	940	Flat key		

Model	CPm370	CPm550	CPm750	CPm170	CPm190	CPm200
Capacitor(μF)	AC18μF\450V	AC15μF\450V	AC20μF\450V	40μF/450V	45 μF/450V	45 μF/450Vx2
End cap Bearing	6201-2RZ	6202-2RZ	6202-2RZ	6204-2RZ	6204-2RZ	6205-2RZ
Connection Part Bearing	6201-2RZ	6202-2RZ	6202-2RZ	6204-2RZ	6204-2RZ	6304-2RZ
Motor Shaft	Steel 45#+304					
Mechanical Seal	108-12/21& B:A(PC)	108-14/25& B:A(PC)	108-14/25& B:A(PC)	108-17/23.5 B:A (P) Stationary seal ring ø30		
	A:Graphite B: Ceramic P:NBR					
Motor Case				YL102	Aluminum	
Coupling				HT200	CastIron	
Pump Body				HT200	CastIron	
Impeller				304	Brass	

Dimensions & Weight

Model	DN1	DN2	Dim.(mm)									N.W. (kg)
	Inch		A	B	E	F	G	L	S	H1	H2	
CPm370	1	1	124	160	43	31	114	268	10	87	125	8.5
CPm550	1	1	140	180	47	38	112	294	10	98	132	11.5
CPm750	1	1	140	182	47	38	112	294	10	100	144	13.5
CPm170	1	1	170	210	46	45.5	164.5	346	11	108	153	20
CPm190	1	1	185	230	36	37	171	351	10	116	177	23
CPm200	1	1	185	230	54	37	197	401	10	116	177	30.5



Packing Size & Weight

Model	Dim.(LxWxH) mm	G.W. (kg)	20'Loading Qty. (pcs)
CPm370	300x205x270	8.6	1672
CPm550	330x225x285	11.8	1456
CPm750	330x230x300	13.8	1225
CPm170	390x240x290	21	1168
CPm190	390x260x320	24.5	981
CPm200	455x280x340	33.5	742



SHF20A/SHF30A



SHFm5AM

Performance Range

Max. Flow: 140m³/h
Max. Head: 24.5m

Certificate



Application Limits

- ⊙ Suction head up to 7m
- ⊙ Liquid temperature up to +40°C
- ⊙ Ambient temperature up to +40°C
- ⊙ Max. Working pressure: 3.6bar
- ⊙ Voltage fluctuation should not exceed 10% of rated value.
- ⊙ pH: 6.5 to 8.5

Basic Configuration

- ⊙ Pump body: cast iron
- ⊙ Impellers: brass/cast iron
- ⊙ SHFm Shaft: 45 # Steel SHF Shaft: 45 # Steel+304
- ⊙ Mechanical sealing: ceramic / graphite / NBR rubber
- ⊙ Motor: two asynchronous motors, copper coils, built-in thermal protection, all closed fan-cooled, continuous operation
- ⊙ Protection: IP44
- ⊙ Insulation class: SHFm B , SHF F

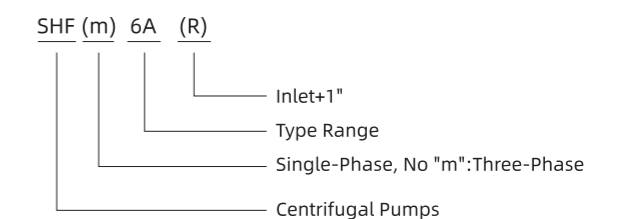
Application Fields

- ⊙ Suitable for transferring water without abrasive particles or other liquid whose properties are similar to water.
- ⊙ Widely used in garden irrigation, vegetable greenhouse water supply, breeding industry water supply and drainage, various corollary equipment, etc.

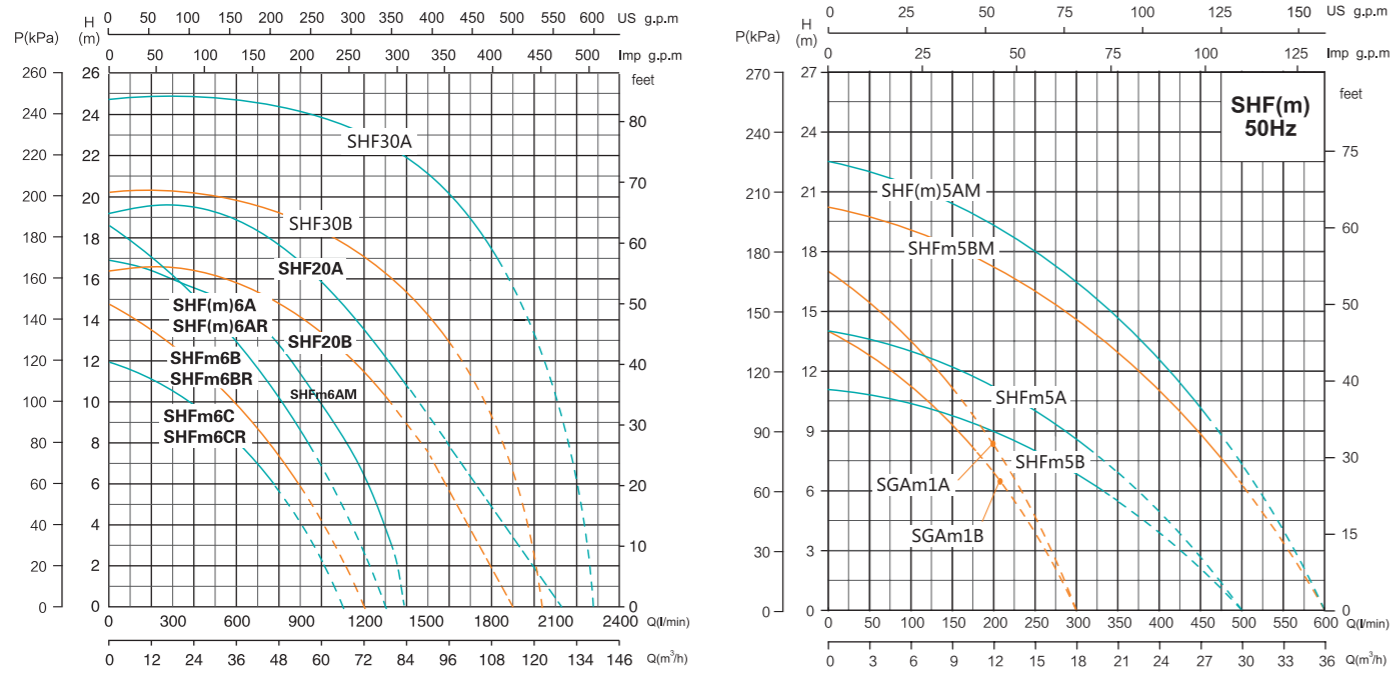
Optional Available On Request

- ⊙ 304 stainless steel welding shaft
- ⊙ Electrophoretic pump body and connections
- ⊙ NSK bearing
- ⊙ Motor whose insulation class is F

Model Instruction



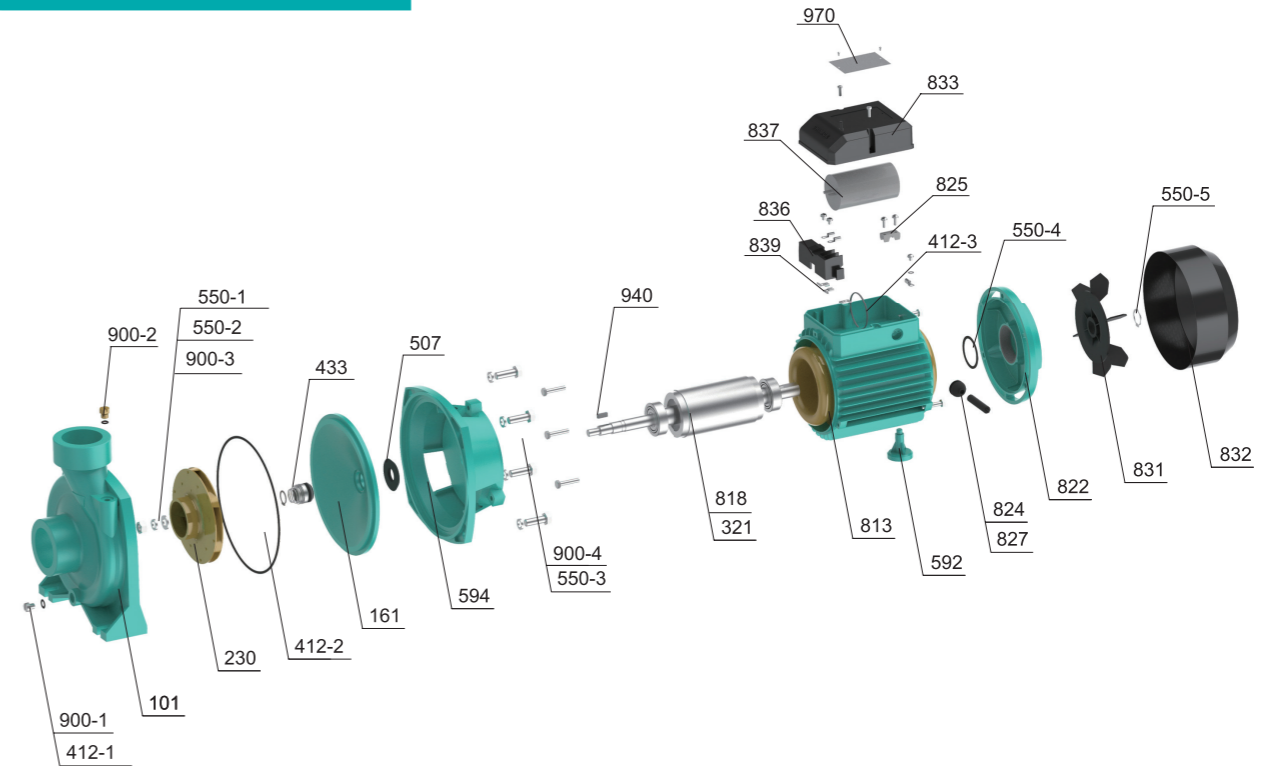
Performance Curve



Model		Power		Max. Flow (m³/h)	Max. Head (m)	Head Range (m)	Max. Suction (m)
Single-Phase	Three-Phase	kW	HP				
SGAm1B	-	0.55	0.75	18	14	8~14	7
SGAm1A	-	0.75	1	18	17	11~17	7
SHFm5B	-	0.75	1	30	11	6~11	7
SHFm5A	-	1.1	1.5	30	14	8~14	7
SHFm5BM	-	1.1	1.5	36	20.2	7~20.2	7
SHFm5AM	SHF5AM	1.5	2	36	22.5	10~22.5	7
SHFm6AM	-	2.2	3	83	16.5	6~16.5	7
SHFm6C	-	1.1	1.5	66	11.9	6~11.9	7
SHFm6B	-	1.5	2	72	14.7	6~14.7	7
SHFm6A	SHF6A	2.2	3	78	18.5	8~18.5	7
SHFm6CR	-	1.1	1.5	66	11.9	6~11.9	7
SHFm6BR	-	1.5	2	72	14.7	6~14.7	7
SHFm6AR	SHF6AR	2.2	3	78	18.5	8~18.5	7
-	SHF20B	3	4	114	16.5	10~16.5	7
-	SHF20A	4	5.5	129	19.5	11~19.5	7
-	SHF30B	5.5	7.5	125	20	13~20	7
-	SHF30A	7.5	10	140	24.5	17~24.5	7

Note: The length of cable is 0.3m, The cable length of three-phase pump SHF5AM, SHF6A, SHF6AR are 0.3m; no plug. The rest of the model without cable

Components & Materials



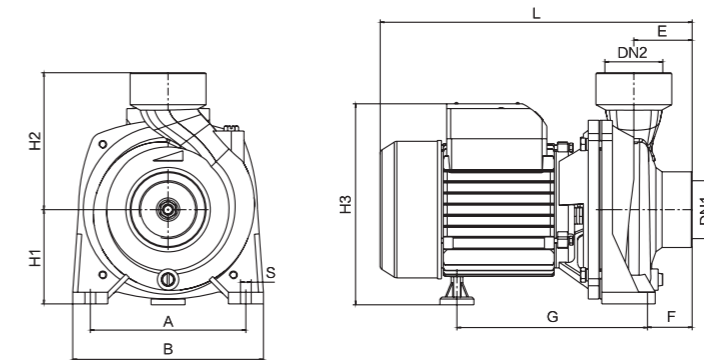
No.	Part name	No.	Part name	No.	Part name	No.	Part name
101	Pump body	550-1	Type I hexagon nut	822	Rear end cover	839	Insert spring
161	Pump cover	550-2	Spring washer	824	Cable	900-1	Slotted cheese head screw
230	Impeller	550-4	Wave spring	825	Cable pressing plate	900-2	Vent cock
321	Deep groove ball bearing	550-5	Circlip for shaft	827	Cable sheath	900-3	Flat washer
412-1	O-ring	507	Water retaining ring	831	Fan	900-4	Hexagon head bolt
412-2	O-ring	592	Foot	832	Fan cover	940	Ordinary flat key
412-3	O-ring	594	Connector	833	Junction box	970	Nameplate
433	Mechanical seal	813	Stator	836	Terminal block		
500-3	Spring washer	818	Rotor	837	Running capacitor		

Model	SGAm1A	SGAm1B	SHFm5A	SHFm5B	SHFm5AM	SHFm6AM	SHF5AM	SHFm5BM	SHFm6A	SHF6A
Capacitor(μF)	20 μF/450V	12 μF/450V	20 μF/450V	20 μF/450V	40 μF/450V	60μF/450V	/	25 μF/450V	35 μF/450V 250 μF/250V	/
End cap Bearing	6202-2RZ				6204-2RZ	6205-2RZ	6204-2RZ	6204-2RZ	6205-2RZ	6205-2RZ
Coupling Bearing	6202-2RZ				6204-2RZ	6304-2RZ	6204-2RZ	6204-2RZ	6304-2RZ	6304-2RZ
Motor Shaft	Steel 45#+304									
Mechanical Seal	301-14/21 S:A(P) Stationary seal ring ø30				155-17/30 B:A(P) Stationary seal ring ø26.9					
	A:Graphite B:Alumina ceramic S:RBSC P:NBR									
Motor Case	Aluminum									
Coupling	Cast Iron									
Pump Body	Cast Iron									
Impeller	Copper				Cast iron	Cast iron or Copper				

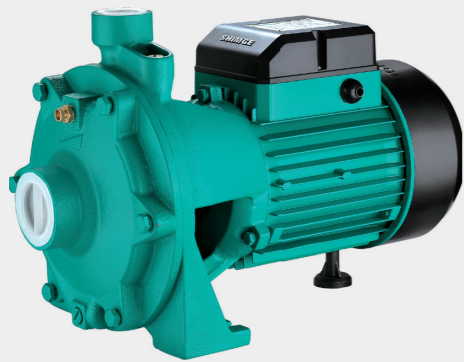
Model	SHFm6B	SHFm6C	SHFm6AR	SHF6AR	SHFm6BR	SHFm6CR	SHF20B	SHF20A	SHF30B	SHF30A
Capacitor(μF)	40 μF/450V	25 μF/450V	35 μF/450V 250 μF/250V	/	40 μF/450V	25 μF/450V	/	/	/	/
End cap Bearing	6204-2RZ	6204-2RZ	6205-2RZ	6205-2RZ	6205-2RZ	6205-2RZ	6205-2RS/C3Z2	6206-2RS/C3Z2	6206-2RS/C3Z2	6208-2RS/C3Z2
Coupling Bearing	6205-2RZ	6205-2RZ	6304-2RZ	6304-2RZ	6304-2RZ	6304-2RZ	6205-2RS/C3Z2	6206-2RS/C3Z2	6206-2RS/C3Z2	6208-2RS/C3Z2
Motor Shaft	Steel 45#+304					45+304 welding shaft				
Mechanical Seal	155-17/30 B:A(P) Stationary seal ring ø26.9					701-20/29 S:K(PC) Stationary seal ring ø35	701-25/31 S:K(PC) Stationary seal ring ø40	701-28/32 S:K(PC) Stationary seal ring ø43		
	A:Graphite B:Alumina ceramic S:RBSC P:NBR									
Motor Case	Aluminum									
Coupling	Cast Iron									
Pump Body	Cast Iron									
Impeller	Cast iron or Copper								Cast iron	

Dimensions & Weight

Model	DN1	DN2	Dim.(mm)											N.W.(kg)
			Single-phase	Three-phase	Inch	A	B	C	E	F	L	H1	H2	
SGAm1A	-	1.5	1.5	160	190	41	91	129	299	95	135	204	10	11.5
SGAm1B	-	1.5	1.5	160	190	41	91	129	299	95	135	204	10	10.5
SHFm5A	-	2	2	160	196	59	45	194	318	91	140	206	11	14
SHFm5B	-	2	2	160	196	59	45	194	318	91	140	206	11	13
SHFm5AM	SHF5AM	2	2	160	206	62	61	226	377	110	150	234	11	21/21.5
SHFm5BM	-	2	2	160	206	62	61	226	377	110	150	234	11	18.5
SHFm6AM	-	4	4	190	240	67	66	267	446.5	120	192	295	11	35.5
SHFm6A	SHF6A	3	3	180	230	68	68	257	438	120	192	279	12	35/32
SHFm6B	-	3	3	180	230	68	68	239	397	120	192	244	12	29
SHFm6C	-	3	3	180	230	68	68	239	397	120	192	244	12	28
SHFm6AR	SHF6AR	4	4	190	240	68	68	257	438	120	192	279	12	36/36
SHFm6BR	-	4	4	190	240	68	68	239	397	120	192	244	12	27.5
SHFm6CR	-	4	4	190	240	68	68	239	397	120	192	244	12	26.5
-	SHF20B	4	4	190	260	80	50	302	461	132	180	267	14	40
-	SHF20A	4	4	190	260	80	50	286	482	132	180	288	14	44
-	SHF30B	4	4	212	292	82	52	301	509	160	210	350	14	59
-	SHF30A	4	4	212	292	82	52	318	555	160	210	350	14	73



Model	Single-phase	Three-phase	Dim.(L×W×H)		G.W.(kg)	
			mm	C	Single-phase	Three-phase
SGAm1A	-	-	350×235×255	12	-	1520
SGAm1B	-	-	350×235×255	11	-	1520
SHFm5A	-	-	365×240×265	14.5	-	1386
SHFm5B	-	-	365×240×265	13.5	-	1386
SHFm5AM	SHF5AM	-	425×250×295	22.5	24.5	1024
SHFm5BM	-	-	425×250×295	20.5	-	1024
SHFm6AM	-	-	510×295×355	37.5	-	584
SHFm6A	SHF6A	-	510×295×355	37	35	584
SHFm6B	-	-	460×285×345	31	-	695
SHFm6C	-	-	460×285×345	28.5	-	695
SHFm6AR	SHF6AR	-	510×295×355	39	39	584
SHFm6BR	-	-	460×285×345	30.5	-	695
SHFm6CR	-	-	460×285×345	28.5	-	695
-	SHF20B	-	560×290×385	-	46	400
-	SHF20A	-	560×290×385	-	50	400
-	SHF30B	-	590×340×430	-	66	350
-	SHF30A	-	640×340×430	-	80	300



2SGP(m)

Performance Range

Max. Flow: 13m³/h
Max. Head: 60m

Certificate



Application Limits

- ⊙ Suction head up to 8m
- ⊙ Liquid temperature up to +40°C
- ⊙ Ambient temperature up to +40°C
- ⊙ Max. Working pressure: 5bar
- ⊙ Voltage fluctuation should not exceed 10% of rated value.
- ⊙ pH: 6.5 to 8.5

Motor

- ⊙ Single-Phase 220V/50Hz
- ⊙ Three-Phase 380V/50Hz
- ⊙ Mechanical seal: Ceramic /Graphite/NBR rubber
- ⊙ Motor: 2 pole asynchronous motor, copper wires, built-in thermal protector, fully closed fan cooling, continuous running
- ⊙ Protection: IP44
- ⊙ Insulation: Class B

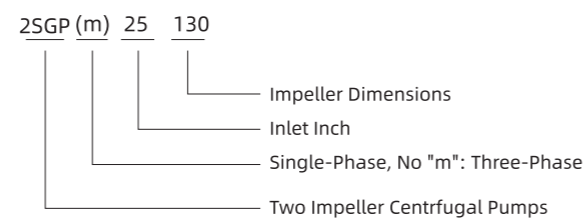
Application Fields

- ⊙ Suitable for transferring water without abrasive particles or other liquid whose properties are similar to water.
- ⊙ Widely used in garden irrigation, vegetable greenhouse water supply, breeding industry water supply and drainage, various corollary equipment, etc.

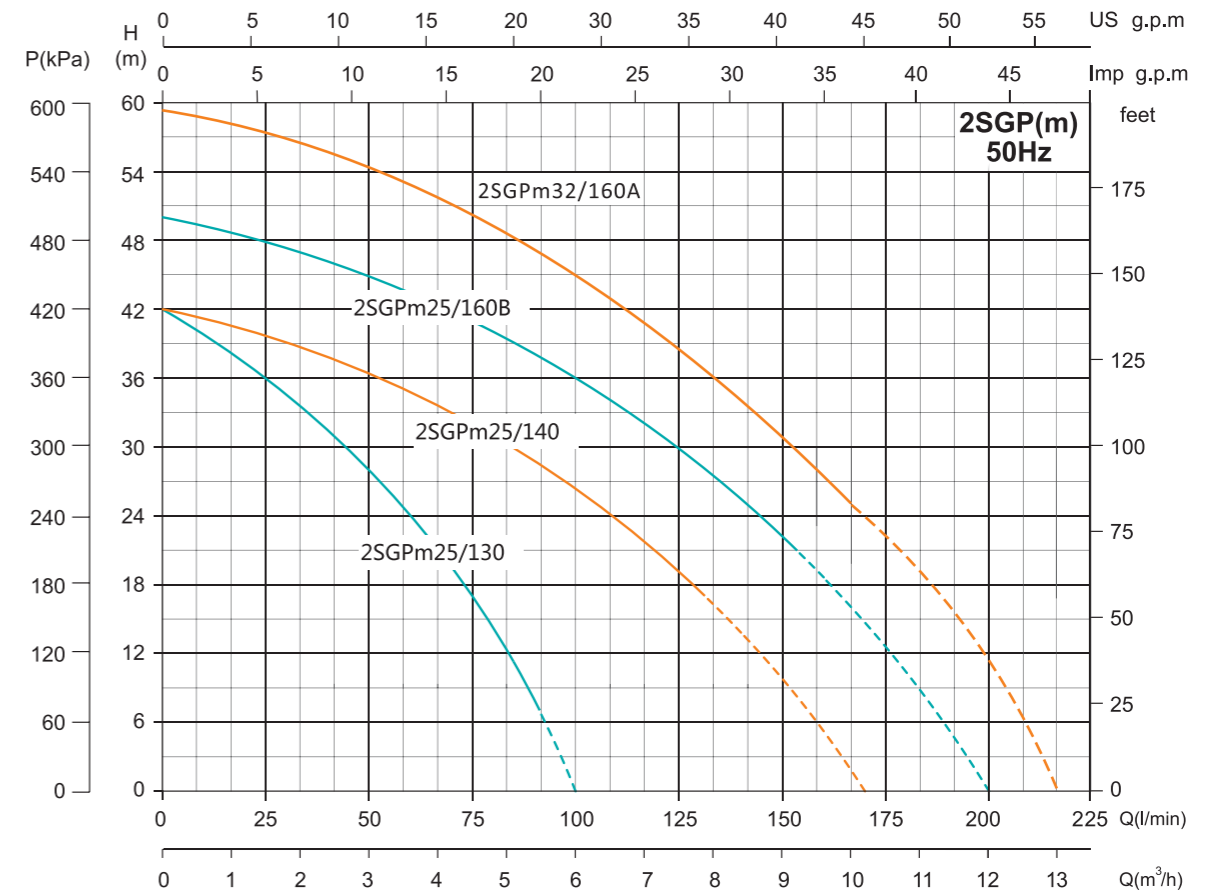
Optional Available On Request

- ⊙ NSK bearing
- ⊙ Motor whose insulation class is F

Model Instruction

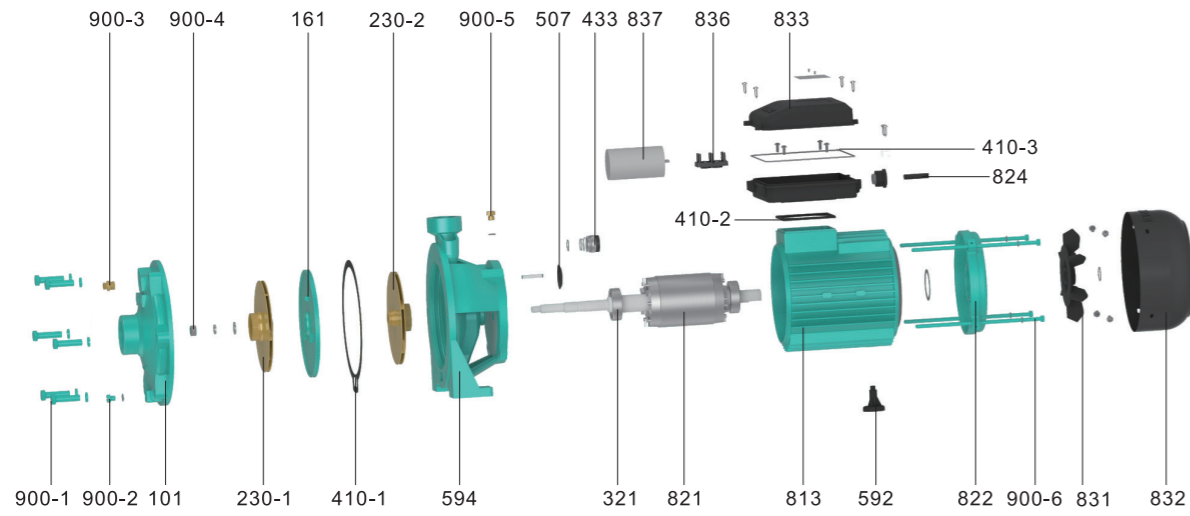


Performance Curve



Model	Power		Max. Flow (m ³ /h)	Max. Head (m)	Head Range (m)	Max. Suction (m)
	kW	HP				
2SGPm25/130	0.75	1	6	42	7~42	8
2SGPm25/140	1.1	1.5	10.2	42	17~42	8
2SGPm25/160B	1.5	2	12	50	22~50	8
2SGPm32/160A	2.2	3	13	60	28~50	8

Components & Materials

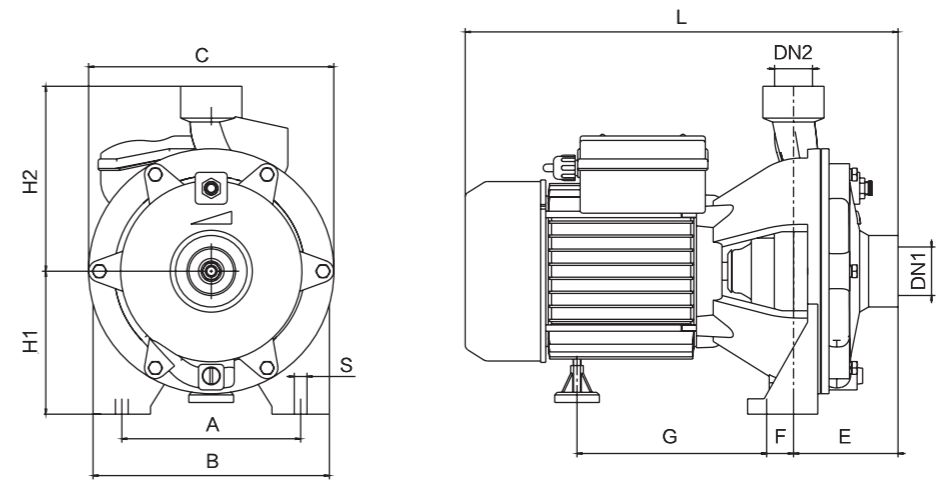


No.	Component	No.	Component	No.	Component
101	Pump body	507	Water retaining ring	833	Junction Box
161	Pump cover	592	Feet	836	Terminal
230-1	Impeller (I)	594	Coupling	837	Running capacitor
230-2	Impeller (II)	813	stator	900-1	Hexagon head bolts full thread
321	Deep groove ball bearing	821	Rotor	900-2	Slotted cheese head screws
410-1	Seal (flat)	822	Back cover	900-3	Vent cock
410-2	Rubber gasket	824	Cable	900-4	Type 1 hex nut
410-3	Rubber gasket	831	fan	900-5	Vent cock
433	Machinery Seal	832	Fan cover	900-6	Hexagon head bolts

Model	2SGPm25/130	2SGPm25/140	2SGPm25/160B	2SGPm32/160A
Capacitor(μF)	20μF/450V	40μF/450V	45μF/450V	60μF/450V
Bearing	6202-2RZ	6204-2RZ	6205-2RZ, 6304-2RZ	
Motor Shaft	304+steel 45#			
Machinery Seal	103-12/20.5 B:A(P)	155-17/30 S:A(P)/Stationary seal ring ø27 L pad		
	A:Graphite B: Ceramic P:NBR			
Motor Case	Aluminum			
Coupling	Cast iron			
Pump Body	Cast iron			
Impeller	Brass	304	Brass	

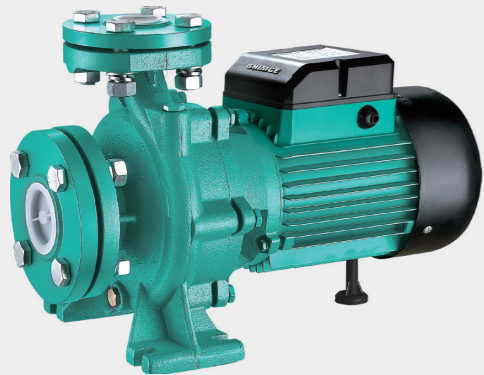
Dimensions & Weight

Model	DN1	DN2	Dim.(mm)										N.W.(kg)
			A	B	C	E	F	G	L	S	H1	H2	
2SGPm25/130	1.25	1	140	185	192	82	21	148.5	339	10	112	145	15
2SGPm25/140	1.5	1	165	210	215	88	34	185	395.5	10	112	150	22
2SGPm25/160B	1.5	1	165	210	215	88	34	185	395.5	10	112	150	25
2SGPm32/160A	1.5	1.25	180	225	235	86	31	196	427	12	128	168	29.6



Model	Dim.(L×W×H)	G.W.(kg)	20"Loading Qty.(pcs)
2SGPm25/130	400×250×295	17	1270
2SGPm25/140	460×270×315	24	885
2SGPm25/160B	460×270×315	27	885
2SGPm32/160A	490×300×355	31.6	584





SGT

Performance Range

Max. Flow: 120m³/h
Max. Head: 52m

Certificate



Application Limits

- ⊙ Suction head up to 7m
- ⊙ Liquid temperature up to +40°C
- ⊙ Ambient temperature up to +40°C
- ⊙ Max. Working pressure: 7bar
- ⊙ Voltage fluctuation should not exceed 10% of rated value.
- ⊙ pH: 6.5 to 8.5

Motor

- ⊙ Three-Phase 380V/50Hz
- ⊙ Motor: 2 pole asynchronous motor, copper wires, built-in thermal protector, fully closed fan cooling, continuous running
- ⊙ Protection: IP44
- ⊙ Insulation: Class B

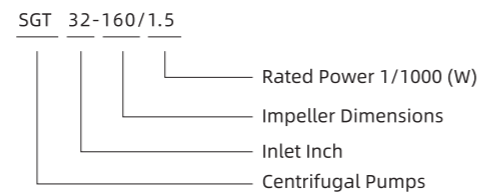
Application Fields

- ⊙ Suitable for transferring water without abrasive particles or other liquid whose properties are similar to water.
- ⊙ Widely used in industrial and urban water supply, high-rise building boosting, fire protection system, breeding

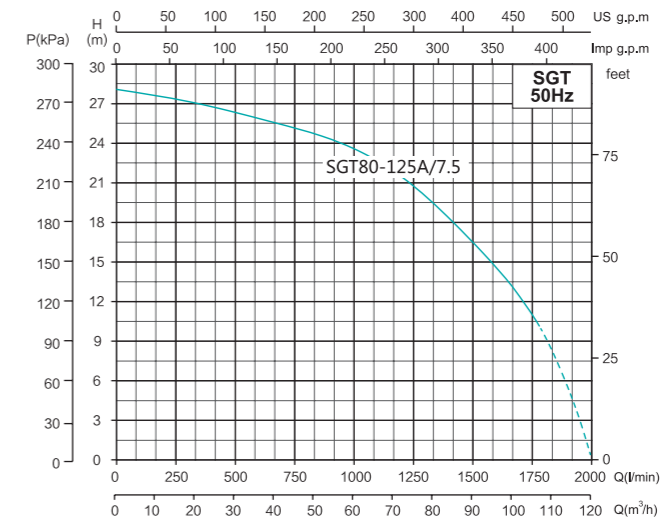
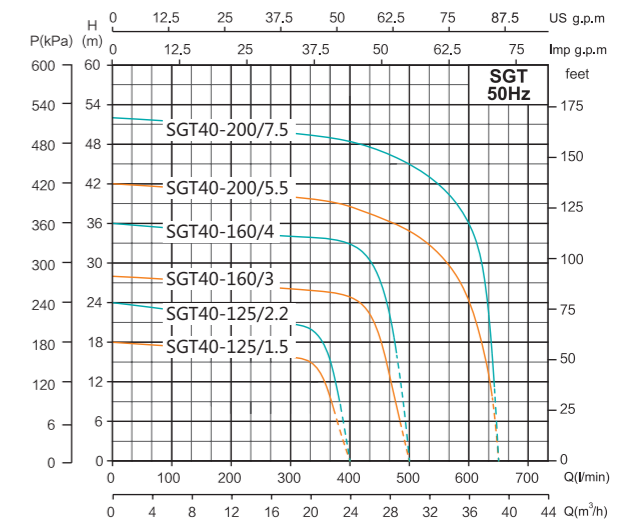
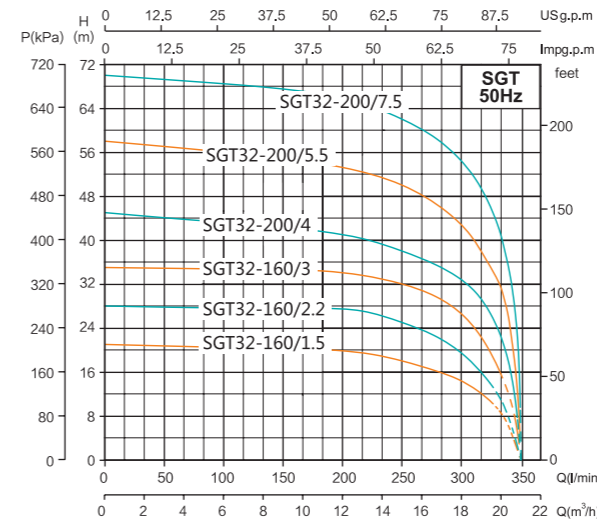
Optional Available On Request

- ⊙ Motor whose insulation class is F
- ⊙ NSK bearing

Model Instruction

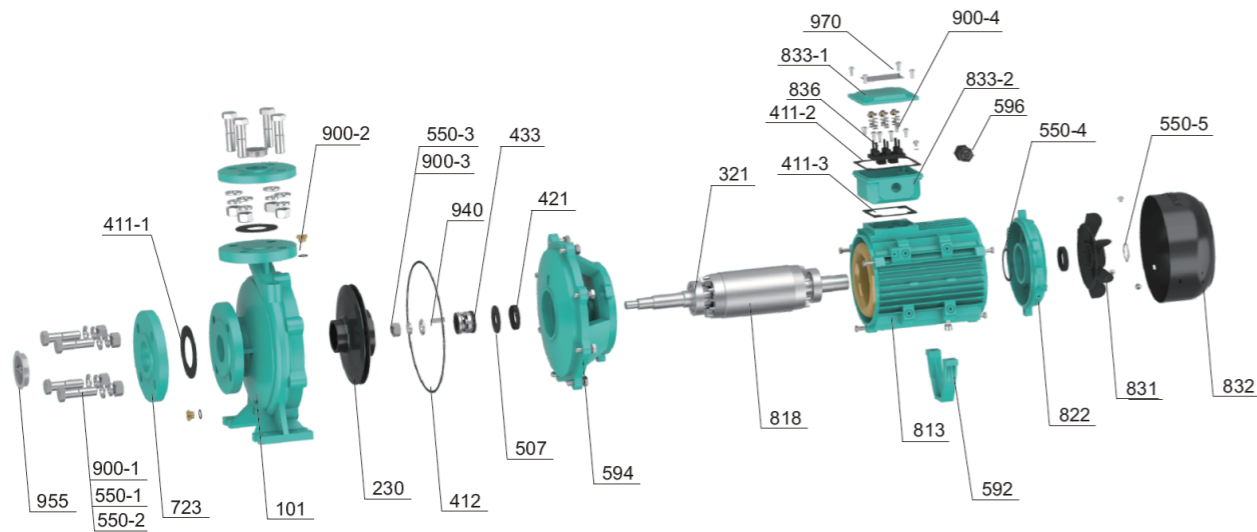


Performance Curve



Model	Power		Max. Flow (m ³ /h)	Max. Head (m)	Head Range (m)	Max. Suction (m)
	kW	HP				
SGT32-160/1.5	1.5	2	21	21	10~21	8
SGT32-160/2.2	2.2	3	21	28	14~28	8
SGT32-160/3	3	4	21	35	16~35	8
SGT32-200/4	4	5.5	21	45	7~45	8
SGT32-200/5.5	5.5	7.5	21	58	8~58	8
SGT32-200/7.5	7.5	10	21	70	10~70	8
SGT40-125/1.5	1.5	2	24	18	7~18	8
SGT40-125/2.2	2.2	3	24	24	9~24	8
SGT40-160/3	3	4	30	28	6~28	8
SGT40-160/4	4	5.5	30	36	17~36	8
SGT40-200/5.5	5.5	7.5	39	42	10~42	8
SGT40-200/7.5	7.5	10	39	52	11~52	8
SGT80-125A/7.5	7.5	10	120	28	10~28	8

Components & Materials



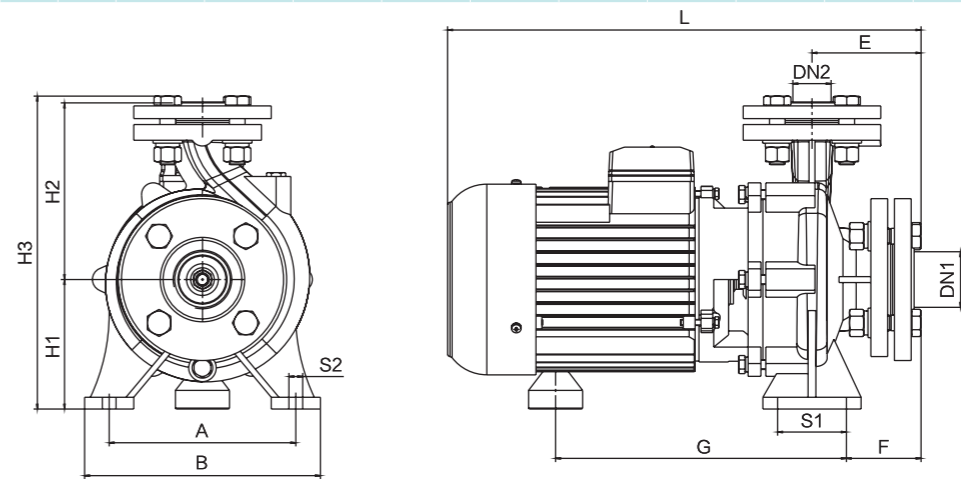
No.	Component	No.	Component	No.	Component
101	Pump body	550-4	Wave spring	836	Wiring terminal
230	Pump cover	550-5	Circlip for shaft	900-1	Hexagon head bolt
321	Impeller (I)	592	Foot	900-2	Vent cock
411-1	Impeller (II)	594	Connector	900-3	Flat washer
411-2	Deep groove ball bearing	596	Cable lock	900-4	Cross recessed pan head screw
411-3	Seal (flat)	723	Flange	940	Ordinary flat key
412	Rubber gasket	813	Stator	955	Dust cover
421	Rubber gasket	818	Rotor	970	Nameplate
433	Machinery Seal	822	Rear end cover		
507	Water retaining ring	831	Fan		
550-1	Spring washer	832	Fan cover		
550-2	Type I hexagon nut	833-1	Junction box cover		
550-3	Type I hexagon nut	833-2	Junction box		

Power (kW)	1.5	2.2	3	4	5.5	7.5
End-cover bearing	6204-2RS/C3Z2	6204-2RS/C3Z2	6205-2RS/C3Z2	6206-2RS/C3Z2	6206-2RS/C3Z2	6208-2RS/C3Z2
Coupling bearing	6205-2RS/C3Z2	6205-2RS/C3Z2	6205-2RS/C3Z2	6206-2RS/C3Z2	6206-2RS/C3Z2	6208-2RS/C3Z2

Motor Shaft	Steel 45#+304					
Mechanical Seal	701-20/29 S:K(P) Stationary seal ring ø35		701-25/31 S:K(P) Stationary seal ring ø40		701-28/32 S:K(P) Stationary seal ring ø40	
	A:Graphite B:Alumina ceramic S:RBSC P:NBR					
Motor Case	Aluminum					
Coupling	Cast Iron					
Pump body	Cast Iron					
Impeller	Cast Iron					
Pump Cover	Cast Iron					

Dimensions & Weight

Model	DN1	DN2	Dim.(mm)										N.W.(kg)	
			A	B	E	F	G	L	S1	S2	H1	H2		
SGT32-160/1.5	2	1.25	190	240	111	76	272	441	441	14	132	180	319	32
SGT32-160/2.2	2	1.25	190	240	111	76	280	476	476	14	132	180	319	37
SGT32-160/3	2	1.25	190	240	111	76	296	482	482	14	132	180	319	40
SGT32-200/4	2	1.25	190	240	111	76	289	511	511	14	160	200	367	52
SGT32-200/5.5	2	1.25	190	240	111	76	299	532	532	14	160	200	367	63.5
SGT32-200/7.5	2	1.25	190	240	111	76	316	581	581	14	160	200	367	74
SGT40-125/1.5	2.5	1.5	160	210	112	77	272	442	442	14	112	162	281	31
SGT40-125/2.2	2.5	1.5	160	210	112	77	280	477	477	14	112	162	281	40
SGT40-160/3	2.5	1.5	175	210	112	77	301	488	488	14	132	182	321	43
SGT40-160/4	2.5	1.5	175	210	112	77	291	514	514	14	132	182	321	51
SGT40-200/5.5	2.5	1.5	215	265	132	97	296	550	550	14	160	202	369	61
SGT40-200/7.5	2.5	1.5	215	265	132	97	313	599	599	14	160	202	369	73.5
SGT80-125A/7.5	4	3	215	265	132	97	313	599	599	14	160	202	369	84.5



Model	Dim.(L×W×H)	G.W.(kg)	20'Loading Qty. (pcs)
Three-Phase	mm	Three-Phase	
SGT32-160/1.5	490×285×355	35	616
SGT32-160/2.2	520×285×355	40	568
SGT32-160/3	565×275×390	43	556
SGT32-200/4	590×325×440	57	371
SGT32-200/5.5	610×325×440	68.5	336
SGT32-200/7.5	660×325×440	79	336
SGT40-125/1.5	490×255×315	34	774
SGT40-125/2.2	520×255×315	40	738
SGT40-160/3	565×275×390	48	480
SGT40-160/4	590×275×390	51	456
SGT40-200/5.5	610×325×440	68.5	350
SGT40-200/7.5	680×300×440	83.5	324



PXm

Performance Range

Max. Flow: 9m³/h
Max. Head: 45m

Certificate



Application Limits

- ⊙ Suction head up to 7m
- ⊙ Liquid temperature up to +40°C
- ⊙ Ambient temperature up to +40°C
- ⊙ Max. Working pressure: 7bar
- ⊙ Voltage fluctuation should not exceed 10% of rated value.
- ⊙ pH: 6.5 to 8.5

Basic Configuration

- ⊙ Mechanical sealing: ceramic / graphite / NBR rubber
- ⊙ Motor: two asynchronous motors, copper coils, built-in thermal protection, all closed fan-cooled, continuous operation
- ⊙ Protection: IP44
- ⊙ Insulation class: B

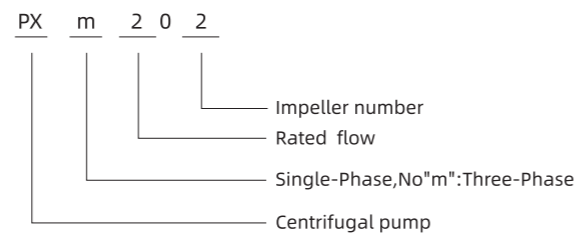
Application Fields

- ⊙ Suitable for transferring water without abrasive particles or other liquid whose properties are similar to water.
- ⊙ Widely used in industrial and urban water supply, high-rise building boosting, fire protection system, breeding

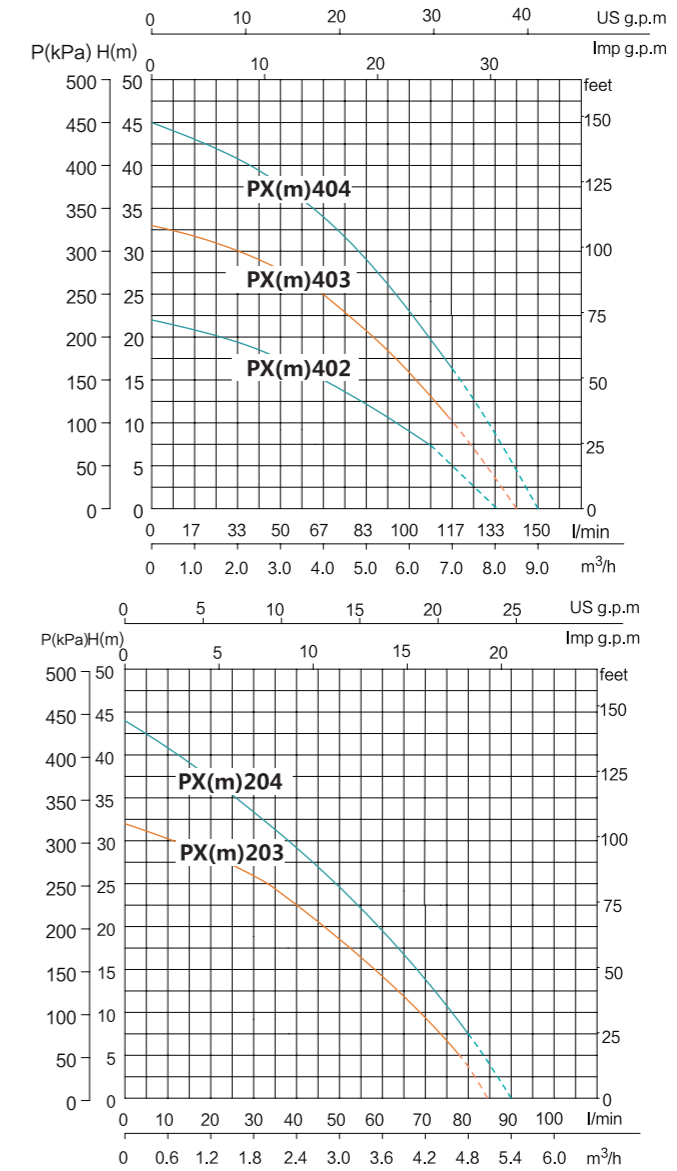
Optional Available On Request

- ⊙ Motor whose insulation class is F
- ⊙ NSK bearing

Model Instruction



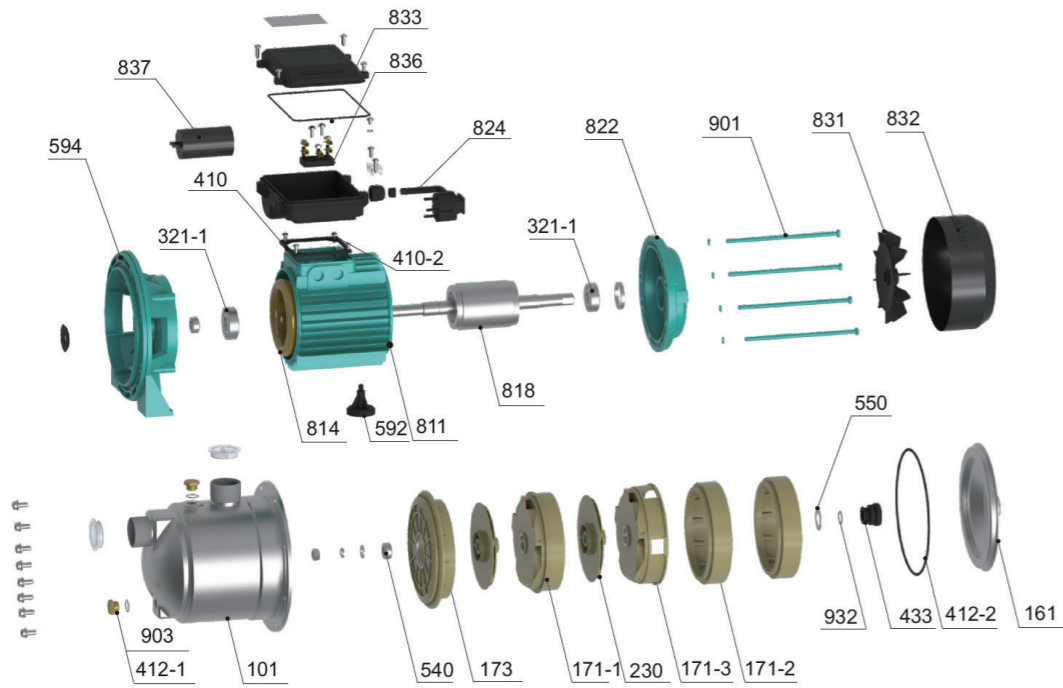
Performance Curve



Model		Power		Max. Flow (m ³ /h)	Max. Head (m)	Head Range (m)	Max. Suction (m)
Single-Phase	Three-Phase	kW	HP				
PXm203	PX203	0.46	0.6	5	32	4~32	7
PXm204	PX204	0.55	0.75	5.4	44	4~44	7
PXm402	PX402	0.46	0.6	8	22	4~22	7
PXm403	PX403	0.55	0.75	8.4	33.5	4~33.5	7
PXm404	PX404	0.75	1	9	45	4~45	7

Note: No plug 0.3 m.

Components & Materials

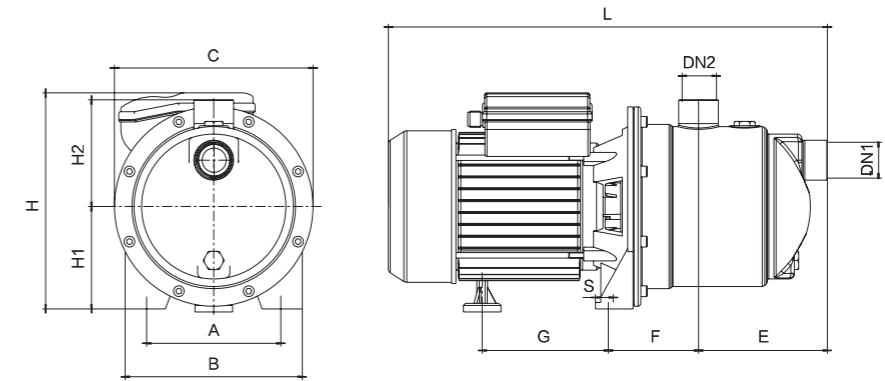


No.	Part name	No.	Part name	No.	Part name
903	Vent cock	836	Wiring terminal \ black triangle	101	Pump body
433	Mechanical seal	818	Rotor	171-3	Rear guide vane
171-1	Guide vane	831	Fan\QB70	410	Rubber gasket
901	Hexagon head bolt	173	Guide vane cover plate	822	Rear end cover
837	Running capacitor	833	Junction box assembly	540	Bushing
171-2	Guide vane washer	412-2	O-ring	832	Fan cover
594	Connector	412-1	O-ring	230	Impeller
811	Casing	321-2	Deep groove ball bearing	410-1	Rubber washer
824	Cable (domestic)	592	Foot	321-1	Deep groove ball bearing
932	Circlip for shaft	161	Pump cover	814	Stator core with winding

Model	PXm203	PXm204	PXm402	PXm403	PXm404	PX203	PX204	PX402	PX403	PX404
Capacitor(μF)	16μF/450V	18μF/450V	16μF/450V	18μF/450V	20μF/450V					/
End cap Bearing	6202-2RZ									
Connection Part Bearing	6203-2RZ									
Motor Shaft	2Cr13									
Mechanical Seal	108-14/21 S:A(RC)									
	A:Graphite,K:Impregnated resin sintered graphite,W:;Tungsten carbide,B:Alumina ceramics,F:Fluorine rubber,P:NBR, E:Ethylene propylene rubber,T:Plating Manganese steel with chromium,C:Stainless steel(06Cr19Ni10),H:brass S: Reactive Sintered Silicon Carbide,									
Motor Case	Aluminum									
Coupling	Aluminum									
Pump Body	the stainless steel pump body									
Impeller	Plastics PPO+GF30									

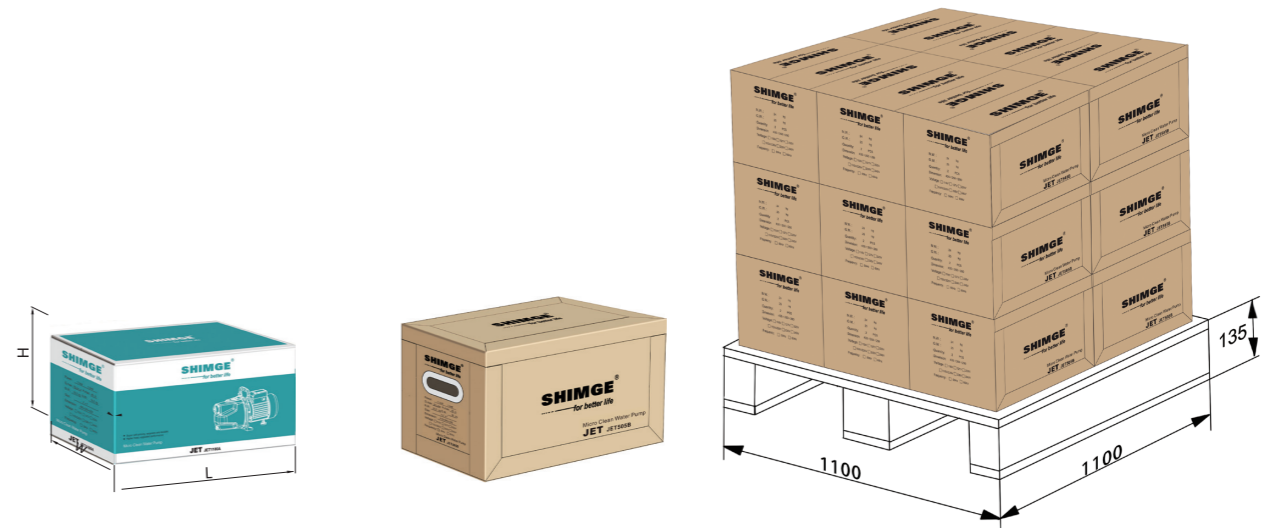
Dimensions & Weight

Model	DN1	DN2	Dim.(mm)									N.W. (kg)	
	Inch		A	B	E	F	G	L	S	H1	H2		H3
PXm203	1	1	125	165	185	84	117.5	409	9	95	99	204	10
PXm204	1	1	125	165	185	84	117.5	409	9	95	99	204	10.5
PXm402	1	1	125	165	185	84	117.5	409	9	95	99	204	11
PXm403	1	1	125	165	185	84	117.5	409	9	95	99	204	10.5
PXm404	1	1	125	165	185	84	117.5	409	9	95	99	204	11



Packing Size & Weight

Model		Dim.(L×W×H) mm	G.W. (kg)	20'Loading Qty. (pcs)
Single-Phase	Three-Phase			
PXm203	PX203	460×225×255	10.5	1195
PXm204	PX204	460×225×255	11	1195
PXm402	PX402	460×225×255	10.5	1195
PXm403	PX403	460×225×255	11	1195
PXm404	PX404	460×225×255	11.5	1195





PX-203E



PX-404E



PX-804E

PX-E

Performance Range

Max. Flow: 14m³/h
Max. Head: 45m

Application Limits

- ⊙ The conveying medium is clean water and other liquids with similar properties to water
- ⊙ Medium temperature range 0°C ~+60°C ;
- ⊙ The pH of the medium is between 6.5 and 8.5
- ⊙ The volume ratio of solid impurities is not more than 0.1%, and the particle size is not more than 0.2mm
- ⊙ The voltage is single-phase AC 220V, and the voltage fluctuation range is ±10% of the rated value.

Certificate



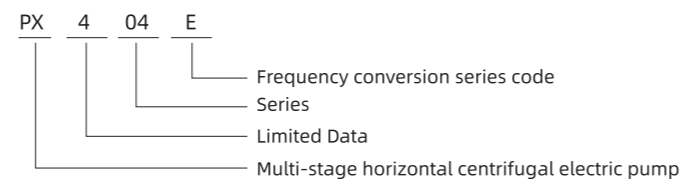
Basic Configuration

- ⊙ Synchronous motor speed: 1000 ~ 3000r/min
- ⊙ Frequency: 50Hz
- ⊙ Protection level: IPX4
- ⊙ Insulation grade: PX203E (F grade); PX404E (B grade); PX804E (F grade)

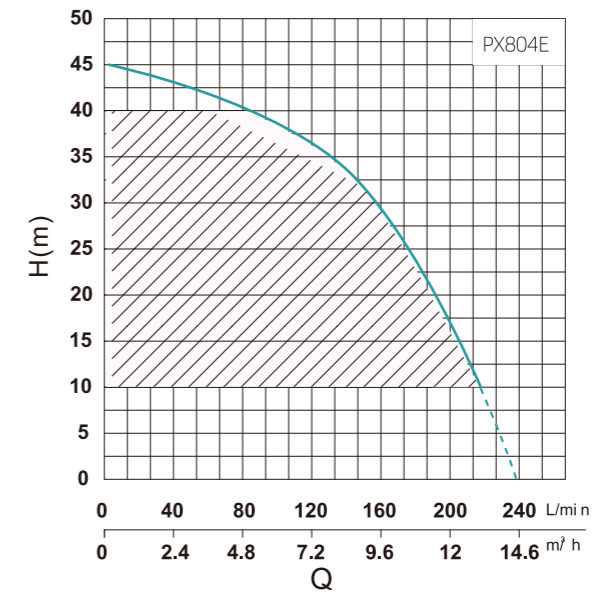
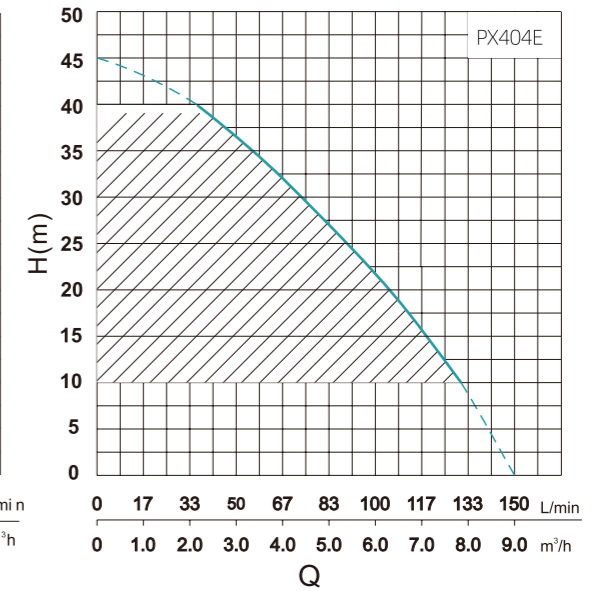
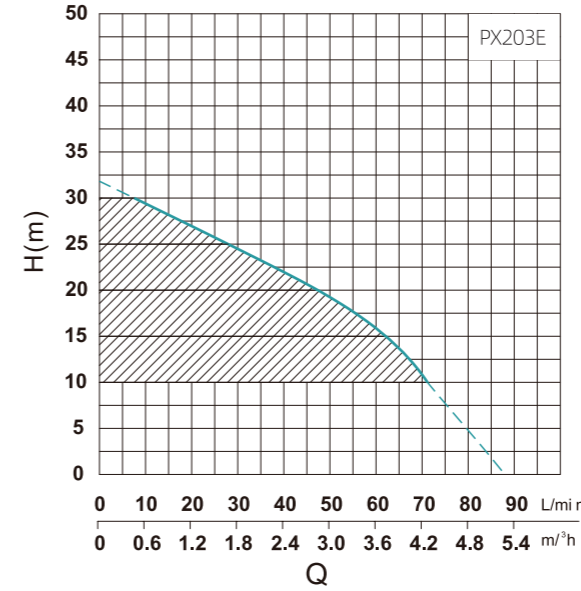
Application Fields

Villa water supply pressurization, community water supply pressurization, school water supply pressurization, small commercial water supply pressurization

Model Instruction

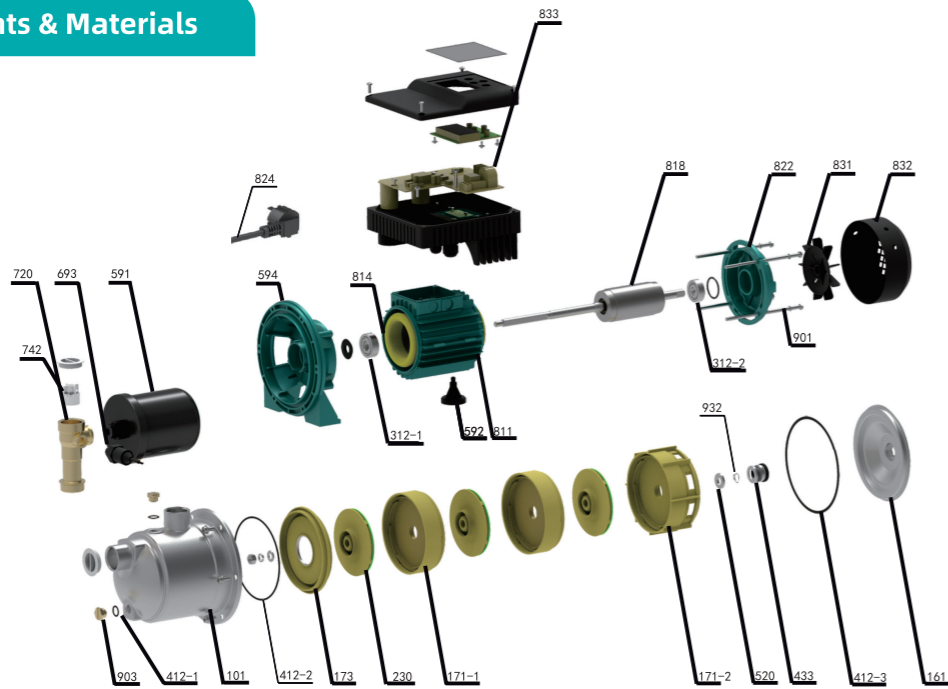


Performance Curve



Model	Power		Max. Flow (m ³ /h)	Max. Head (m)	Head Range (m)	Max. Suction (m)
	kW	HP				
PX203E	0.37	0.5	5	32	10~30	7
PX404E	0.75	1	9	45	10~40	7
PX804E	1.5	2	14	45	10~40	7

Components & Materials

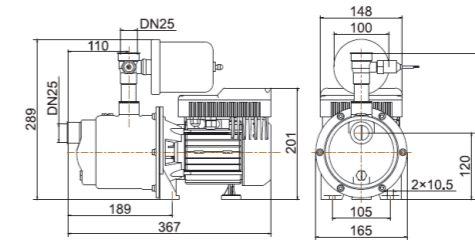


No.	Part name	No.	Part name	No.	Part name
173	Front guide vane cover plate	824	Cable (domestic)	742	Check valve
832	Fan cover	594	Connector	720	Four-way connector
811	Casing	591	Pressure tank	161	Pump cover
818	Rotor	693	Pressure sensor	433	Mechanical seal
412-1	O-ring	520	Shaft sleeve	903	Vent cock
900	Hexagon head bolt	592	Foot	814	Stator core with winding
833	PX203E variable frequency controller	101	Pump body	321-1	Deep groove ball bearing
230	Impeller	831	Fan\QB60	412-3	O-ring
171-1	Guide vane	321-2	Deep groove ball bearing	412-2	O-ring
171-2	Rear guide vane	822	Rear end cover	932	Circlip for shaft

Model	PX203E	PX404E	PX804E
Capacitor	/	/	/
End cap Bearing	6201-2RZ	6202-2RZ	6204-2RZ
Connection Part Bearing	6201-2RZ	6203-2RZ	6204-2RZ
Motor Shaft	420#	420#	45#+304#
Mechanical Seal	108-12/21&S:A(RC)&Static ring26	108-14/25&S:A(PC)Static ring28	108-16/25&S:A(PC)&Static ring30
Motor Case	Aluminum shell	Aluminum shell	Aluminum shell
Coupling	Aluminum	Aluminum	Aluminum
Pump Body	304#	304#	304#
Impeller	plastic	plastic	plastic

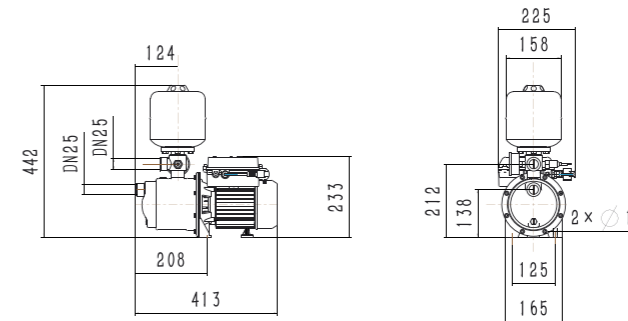
Packing Size & Weight

Model	Dim.(L×W×H) mm	N.W. (kg)	G.W. (kg)	20'Loading Qty. (pcs)
PX203E	390×195×320	9.0	9.5	1151



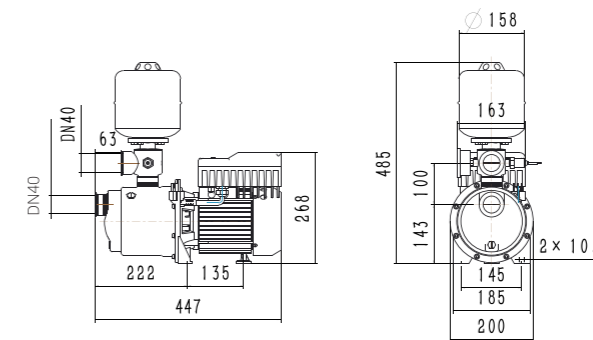
PX203E

Model	Dim.(L×W×H) mm	N.W. (kg)	G.W. (kg)	20'Loading Qty. (pcs)
PX404E	450×235×475	13.7	15.3	557

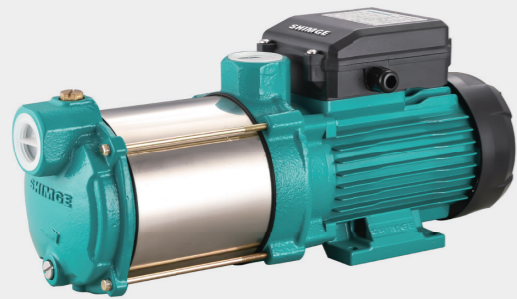


PX404E

Model	Dim.(L×W×H) mm	N.W. (kg)	G.W. (kg)	20'Loading Qty. (pcs)
PX804E	510×240×530	18.8	20.7	432



PX804E



PRm

Performance Range

- ⊙ Max.head:68m
- ⊙ Max.flow:6.5m³/h

Certificate



Application Limits

- ⊙ Max. liquid temperature 40° C
- ⊙ Max. ambient temperature 40° C
- ⊙ Max. running pressure 4.5bar
- ⊙ Voltage fluctuations should not±10% of rate value
- ⊙ PH 6.5 to 8.5

Features

- ⊙ Connector, intake chamber: rust prevention iron casting
- ⊙ Impeller PPO+GF30
- ⊙ shaft 2Cr13
- ⊙ pump shell 304
- ⊙ gland EPDM
- ⊙ mechanical seal ceramics/ graphite/NBR
- ⊙ motor 2pole ,copper wire ,built-in thermal protector ,fully enclosed shell
- ⊙ continuous service S1
- ⊙ enclosure class IPX4
- ⊙ insulation grade F
- ⊙ noise ≤ 60dB

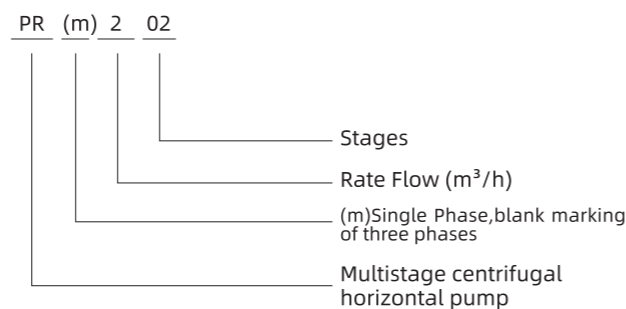
Application Fields

- ⊙ Domestic water supply
- ⊙ Landscaping irrigation
- ⊙ Water pressure boost

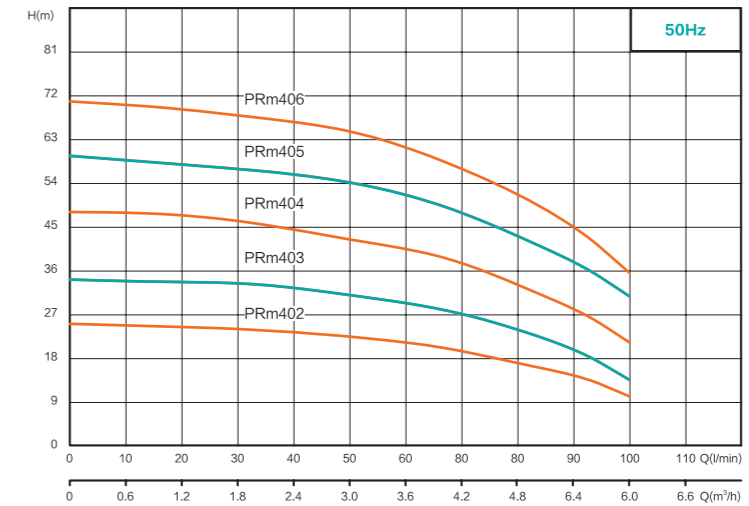
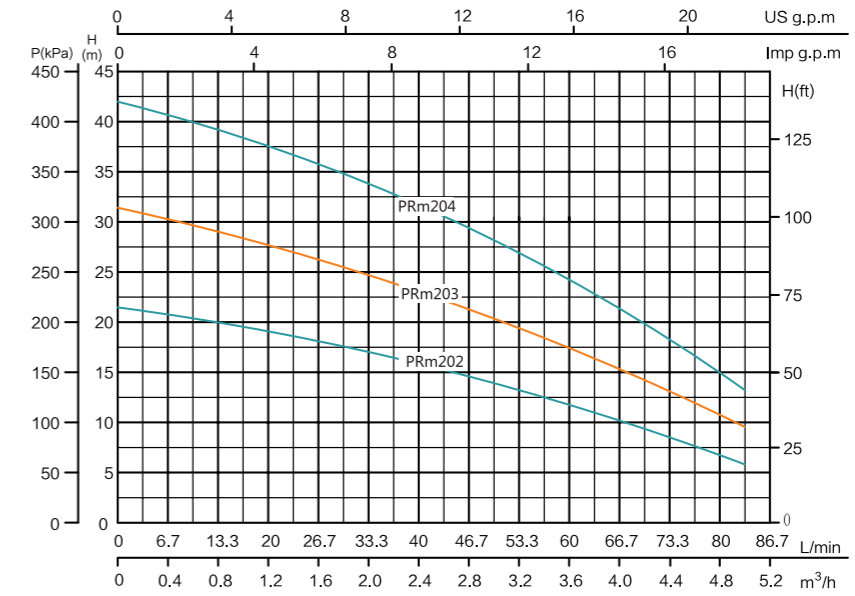
Optional Available On Request

- ⊙ NSK bearing

Model Instruction

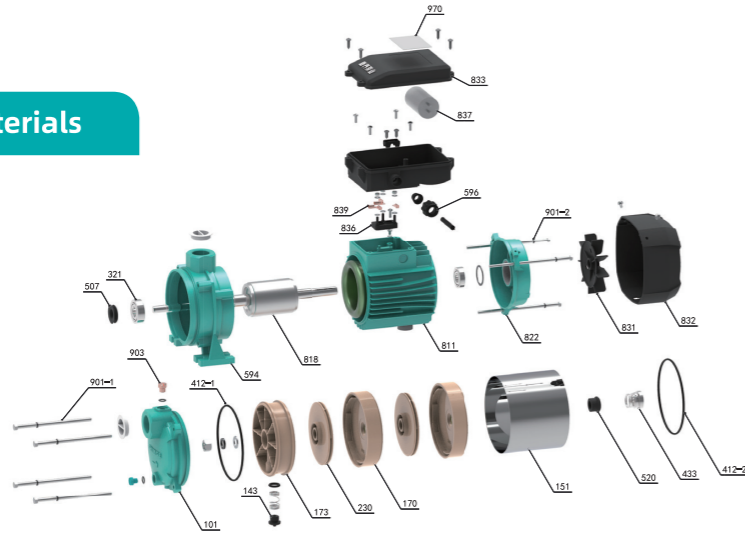


Performance Curve



Model	Power		Max. Flow (m ³ /h)	Max. Head (m)	Head Range (m)	Max. Suction (m)	
	Single-Phase	kW					HP
PRm202		0.31	0.4	5.4	22	4~22	7
PRm203		0.37	0.5	5.4	34	4.5~34	7
PRm204		0.55	0.75	5.4	45	5~45	7
PRm402		0.55	0.75	6.5	23.0	10~23	8
PRm403		0.75	1.02	6.5	34.0	12~34	8
PRm404		0.90	1.22	6.5	45.0	15~45	8
PRm405		1.10	1.50	6.5	57.0	20~57	8
PRm406		1.50	2.04	6.5	68.0	30~68	8

Components & Materials



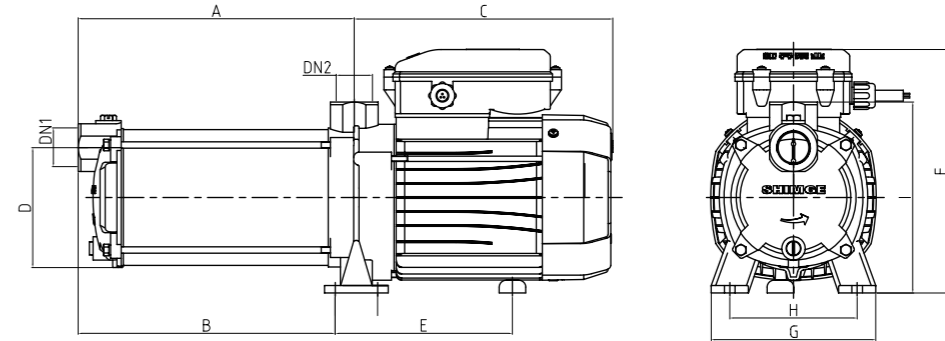
No.	Part name	No.	Part name	No.	Part name
106	Inlet pump casing	550-2	Flat washer	900-1	Cross recessed hexagon bolt
107	Connector	550-3	Wave spring	900-2	Cross recessed pan head self-tapping screw
151	Pump cylinder	550-4	Flat washer	900-3	Hexagon nut - Style 1
171	Guide vane	550-5	Spring washer	900-4	Cross recessed small pan head screw
173	Guide vane cover plate	550-6	Spring washer	900-5	Cross recessed flange screw
230	Impeller	813	Stator	900-6	Cross recessed pan head self-tapping screw
321	Deep groove ball bearing	818	Rotor	900-7	Hexagon nut - Style 1
410-1	Rubber gasket	824	Cable	900-8	Vent cock
410-2	Rubber washer	825	Cable pressing plate	900-9	Hexagon head bolt
410-3	Rubber gasket	827	Cable sheath	900-10	Slotted cheese head screw
412	O-ring	831	Fan	900-11	Cross recessed flange screw
433	Mechanical seal	832	Fan cover	955	Dust cover
507	Water retaining ring	833	Junction box assembly	970	Nameplate
520-1	Shaft sleeve	836	Wiring board	972	Earthing mark
520-2	Bushing	837	Capacitor		
550-1	External teeth lock washer	839	Wiring terminal		

Model	PRm201	PRm202	PRm203
Capacitor(μF)	15μF/450V	15μF/450V	20μF/450V
End cap Bearing	6201-2RZ	6201-2RZ	6201-2RZ
Connection Part Bearing	6201-2RZ	6201-2RZ	6201-2RZ
Motor Shaft	2Cr13		
Mechanical Seal	108-12/21 B:A(PC) A:Graphite,K:Impregnated resin sintered graphite,W:;Tungsten carbide,B:Alumina ceramics,F:Fluorine rubber,P:NBR,E:Ethylene propylene rubber, T:Plating Manganese steel with chromium,C:Stainless steel(06Cr19Ni10),H:brass		
Chassis	Aluminium		
Connecting fittings	Cast Iron		
Water shell	Cast Iron		
Pump cylinder	304		
Gland	EPDM		
Guide vane	PPO+GF30		
The rotor	PPO+GF30		

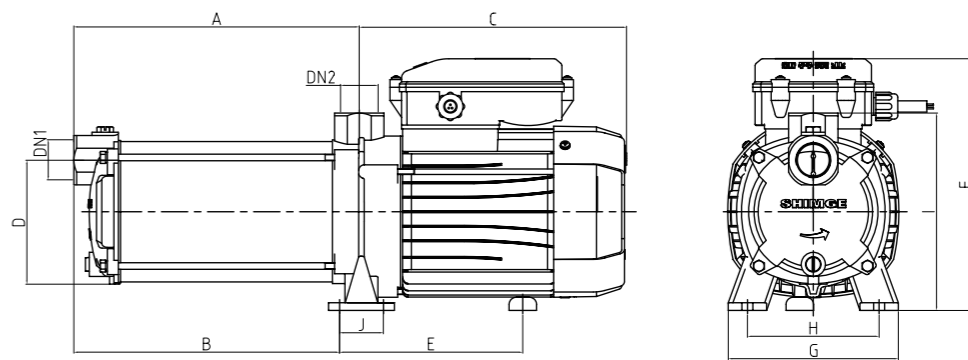
Model	PRm402	PRm403	PRm404	PRm405	PRm406
Capacitor(μF)	AC15μF/450V	AC20μF/450V	AC20μF/450V	AC30μF/450V	AC40μF/450V
End cap Bearing	6203-2RZ			6204-2RZ	6204-2RZ
Connection Part Bearing	6202-2RZ				
Motor Shaft	#420			#45+#304	
Mechanical Seal	108-16/25&S:A(PC)Static ring30				
chassis	YL102				
Back cover	YL102				
Coupling	HT200				
Pump barrel	#304				
Impeller	PPO				

Dimensions & Weight

Model	DN1	DN2	Dim.(mm)									N.W.(kg)
	Inch		A	B	C	D	E	F	G	H	I	
PRm202	1	1	161	210.5	212	110	74	170	140	102	150.5	7.5
PRm203	1	1	187	236.5	212	110	74	170	140	102	150.5	8.5
PRm204	1	1	213	262.5	212	110	74	170	140	102	150.5	10.5

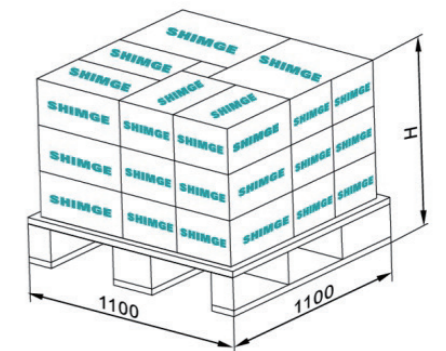


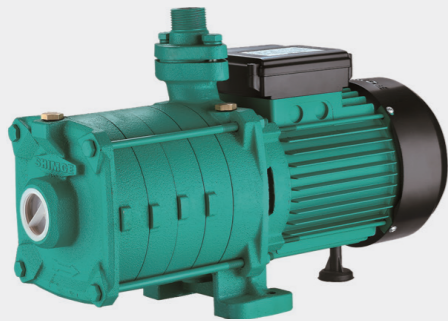
Model	DN1	DN2	Dim.(mm)									
	Inch		A	B	C	D	E	F	G	H	I	J
PRm402	1	1	171	153	222	113	144	213	155	120	170	40
PRm403	1	1	201	177	222	113	144	213	155	120	170	40
PRm404	1	1	225	201	222	113	144	213	155	120	170	40
PRm405	1	1	249	225	243	113	144	213	155	120	170	40
PRm406	1	1	273	249	243	113	144	213	155	120	170	40



Packing Size & Weight

Model	Dim.(LxWxH) mm	G.W.(kg)	20'Loading Qty.(pcs)
PRm202	415x185x200	9.5	1512
PRm203	440x185x200	10.5	1404
PRm204	465x185x200	11.5	1296
PRm402	415x210x275	12.0	1144
PRm403	460x210x275	13.0	1120
PRm404	490x210x275	13.0	1056
PRm405	530x210x295	17.0	968
PRm406	555x210x295	19.5	896





KSW

Performance Range

Max. Flow: 5.4m³/h
Max. Head: 55m

Certificate



Application Limits

- ⊙ Max. liquid temperature: 40° C
- ⊙ Max. ambient temperature: 40° C
- ⊙ Max. running pressure: 5.5bar
- ⊙ Voltage fluctuations should be within ±10% of the rate value.
- ⊙ PH: 6.5 to 8.5

Basic Configuration

- ⊙ Connector, pump body, pump bonnet: iron casting rust prevention treatment.
- ⊙ Impeller: PPO+GF30
- ⊙ Shaft: 45#
- ⊙ Mechanical seal: ceramics/ graphite/NBR
- ⊙ Motor: 2 pole ,copper wire ,built-in thermal protector ,fully enclosed shell
- ⊙ Continuous service S1 motor
- ⊙ Enclosure class: IPX4
- ⊙ Insulation grade: F

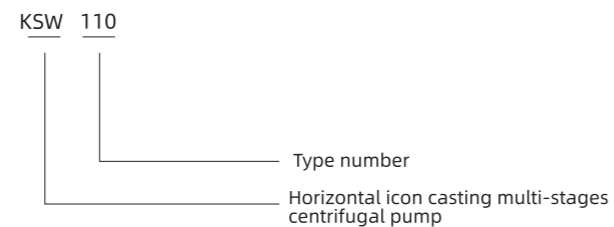
Application Fields

- ⊙ Domestic water supply
- ⊙ Landscaping irrigation
- ⊙ Water pressure boost

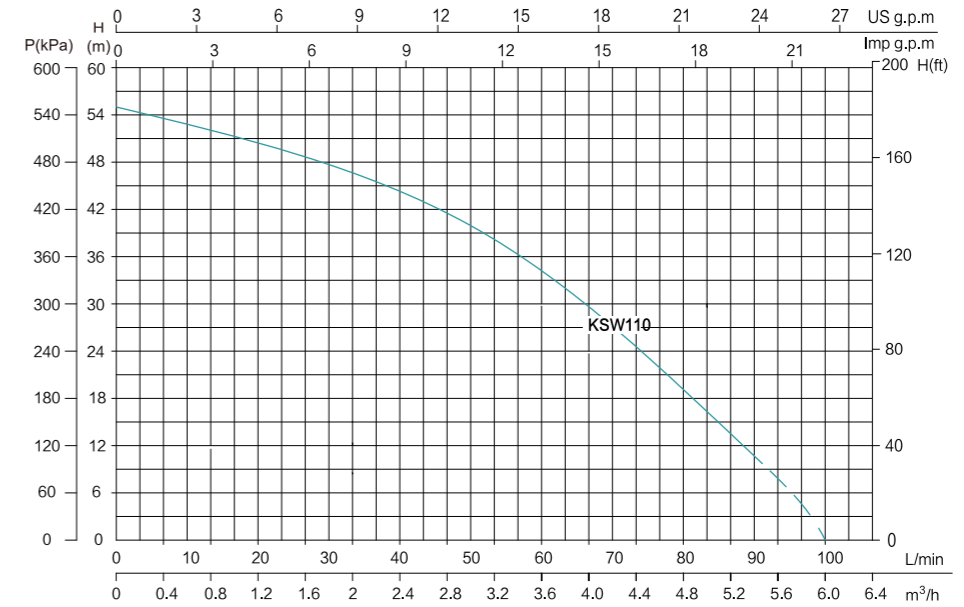
Optional Available On Request

- ⊙ NSK ball bearing

Model Instruction

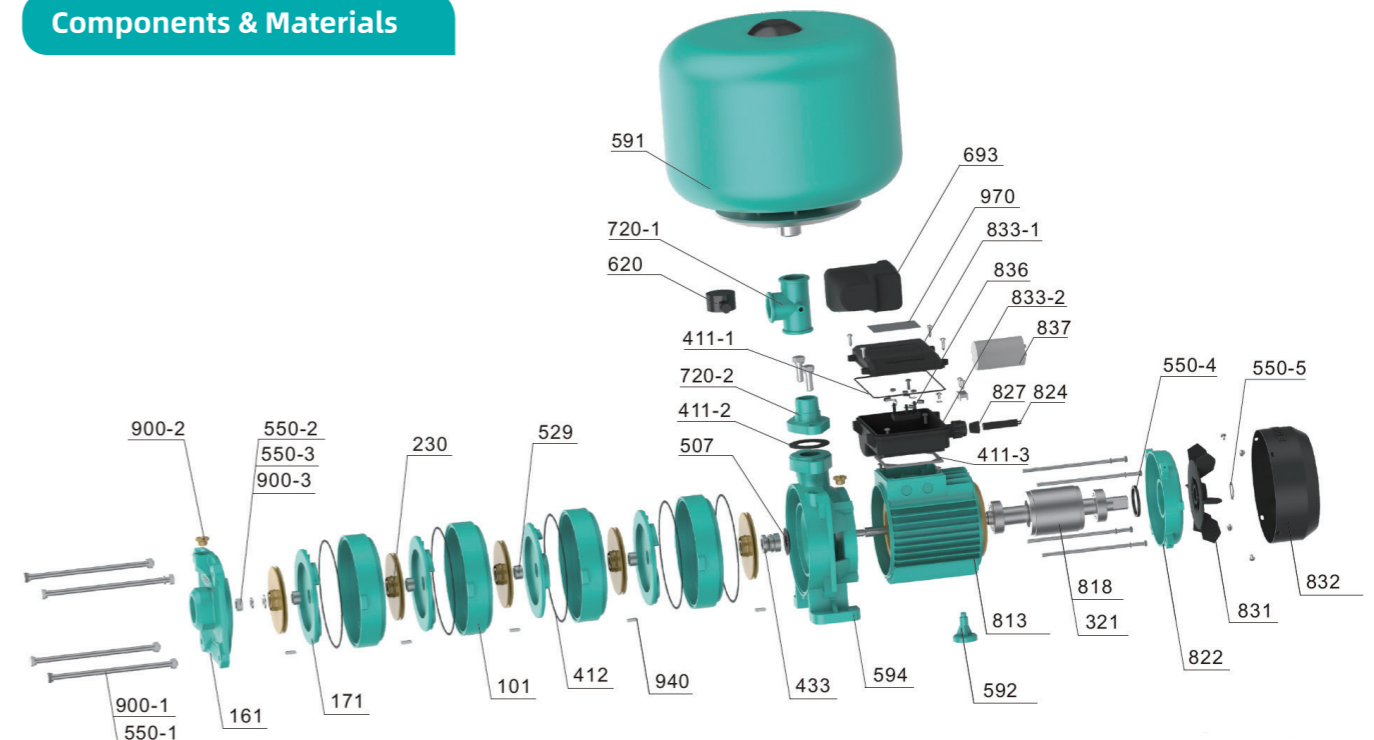


Performance Curve



Model	Power		Max. Flow (m ³ /h)	Max. Head (m)	Head Range (m)	Max. Suction (m)
	kW	HP				
Single-Phase KSW110	0.9	1.2	5.4	55	40	7

Components & Materials



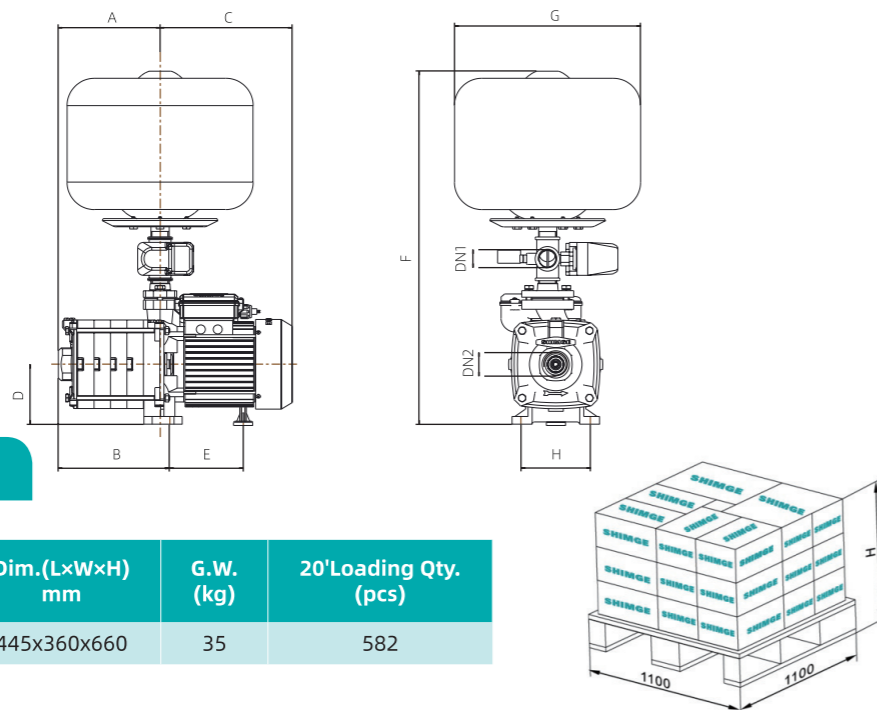
No.	Part name	No.	Part name	No.	Part name
101	Pump body	550-3	Spring washer	822	Rear end cover
161	Pump cover	550-4	Wave spring	824	Cable
171	Guide vane	550-5	Circlip for shaft	827	Cable sheath
230	Impeller	591	Pressure tank	831	Fan
321	Deep groove ball bearing	592	Foot	832	Fan cover
411-1	Rubber washer	594	Connector	833-1	Junction box cover
411-2	Rubber washer	620	Pressure gauge	833-2	Junction box
411-3	Rubber washer	693	Pressure switch	836	Wiring terminal
412	O-ring	720-1	Iron five-way connector	837	Running capacitor
433	Mechanical seal	720-2	Outlet joint	900-1	Hexagon head bolt
507	Water retaining ring	720-1	Iron five-way connector	900-2	Vent cock
529	Shaft sleeve	720-2	Outlet joint	900-3	Flat washer
550-1	Type I hexagon nut	813	Stator	940	Ordinary flat key
550-2	Type I hexagon nut	818	Rotor	970	Nameplate

Model	KSW110
Capacitor	30μF/450V
End-cover Bearing	6204-2RZ
Coupling Bearing	6204-2RZ
Motor Shaft	45 # polishing material
Mechanical Seal	108-16/25 B:A (P)(Stationary seal ring ø27) A:Graphite,K:Impregnated resin sintered graphite,W::Tungsten carbide,B:Alumina ceramics(YG6),F:Fluorine rubber,P:NBR,E:Ethylene propylene rubber,T:Plating Manganese steel with chromium,C:Stainless steel(06Cr19Ni10),H:brass
Motor Bracket	Aluminum
Coupling	HT200
Pump Body	HT200
Impeller	Brass

Note:The cable length is 0.3m,no plug.

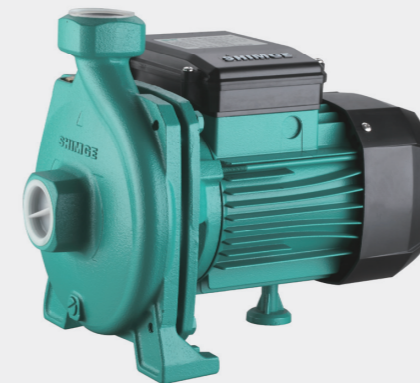
Dimensions & Weight

Model	DN1	DN2	Dim.(mm)								N.W. (kg)
	Inch		A	B	C	D	E	F	G	H	
KSW110	1	1.25	186	204	241	109.5	134	645	340	127	32



Packing Size & Weight

Model	Dim.(L×W×H) mm	G.W. (kg)	20'Loading Qty. (pcs)
KSW110	445x360x660	35	582



PUM-L1

Performance Range

- ⊙ Max.head:32m
- ⊙ Max.flow:12.6m³/h

Certificate



Application Limits

- ⊙ The temperature of the medium does not exceed +90°C ;
- ⊙ The ambient temperature does not exceed +40°C ;
- ⊙ The pH of the medium is between 6.5 and 8.5, the volume ratio of the medium containing solid impurities is ≤ 0.1%, and the particle size is ≤ 0.2mm
- ⊙ The maximum working pressure is 45bar;
- ⊙ The highest altitude is 1000m;

Basic Configuration

- ⊙ Back end cover: aluminum;
- ⊙ Shaft: 45+304 welded shaft;
- ⊙ Impeller: PPO
- ⊙ Chassis/pump cover: YL102
- ⊙ Pump body/connecting parts: HT200
- ⊙ Junction box: ABS
- ⊙ Mechanical seal: silicon carbide/graphite/nitrile rubber;
- ⊙ Bearings: 6201-2RS (PUM200L1), 6202-2RS(PUM400L1/600L1/750L1/751L1) ⊙ Motor: 2-pole asynchronous motor, copper coil, fan Cool down and run continuously.
- ⊙ Protection level: IPX4;
- ⊙ Insulation grade: B.

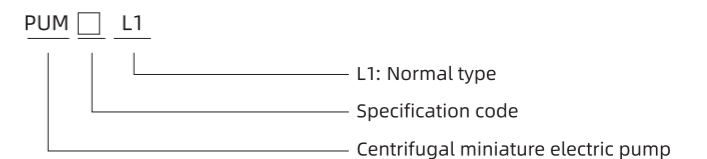
Application Fields

This series of electric pumps are small in size, light in weight, compact in structure, and simple and convenient to install. They are widely used in farmland irrigation, sprinkler irrigation, garden irrigation, vegetable greenhouse water supply and breeding industry water supply and drainage, and well water extraction.

Optional Available On Request

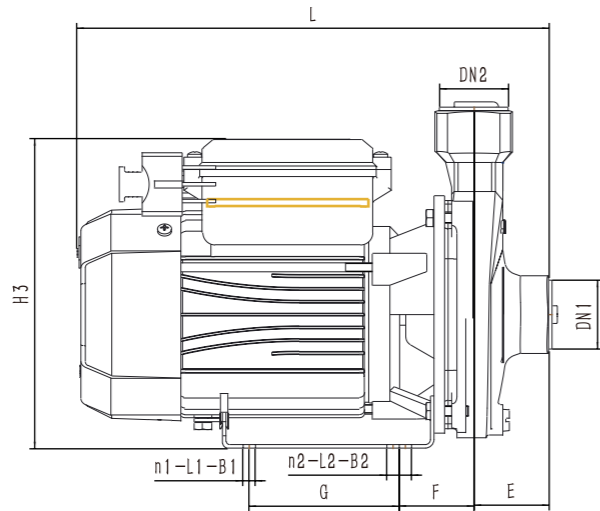
- ⊙ Motor whose insulation class is F

Model Instruction



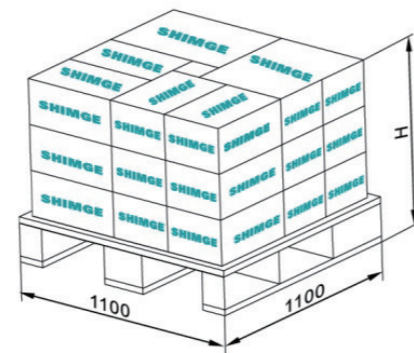
Dimensions & Weight

Model	DN1	DN2	Dim.(mm)												N.W. (kg)	
	Inch	Inch	A	B	C	E	F	G	L	S	H1	H2	H3	n1-L1-B1		n2-L2-B2
PUM200L1	1"	1"	/	125	167	43	35	85	268	/	76	116	176	4-17-4	2-7-27.5	7.0
PUM400L1	1"	1"	124	160	175	43	31	123	293	10	87	125	199	/	/	9.5
PUM600L1	1"	1"	140	180	185	47	38	112	294	10	98	132	208	/	/	11.5
PUM751L1	1"	1"	140	183	186	47	39	114	296	10	103	135	213	/	/	13.5
PUM750L1	1.25"	1.25"	140	182	186	47	38	112	294	10	100	144	208	/	/	13.5



Packing Size & Weight

Model	Dim.(L×W×H) mm	G.W. (kg)	20' Loading Qty. (pcs)
PUM200L1	300×205×240	7.5	1881
PUM400L1	330×210×285	10.0	1568
PUM600L1	330×225×285	12.0	1456
PUM751L1	330×230×300	14.0	1225
PUM750L1	330×230×300	14.0	1225



Performance Range

Max. Flow: 7.2m³/h
Max. Head: 50m

Application Limits

- ⊙ The conveying medium is clean water and other liquids with similar properties to water
- ⊙ Medium temperature range 0°C ~+60°C ;
- ⊙ The pH of the medium is between 6.5 and 8.5
- ⊙ The volume ratio of solid impurities is not more than 0.1%, and the particle size is not more than 0.2mm
- ⊙ The voltage is single-phase AC 220V, and the voltage fluctuation range is ±10% of the rated value.

Certificate



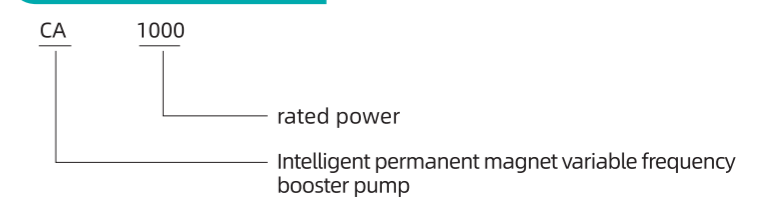
Motor

- ⊙ Permanent magnet synchronous motor CA200 speed: 2000 ~ 5200r/min CA1000 speed: 2500 ~ 5200r/min
- ⊙ Frequency: 50Hz
- ⊙ Protection level: IP55
- ⊙ Insulation class: CA200 (Class B); CA1000 (Class F)

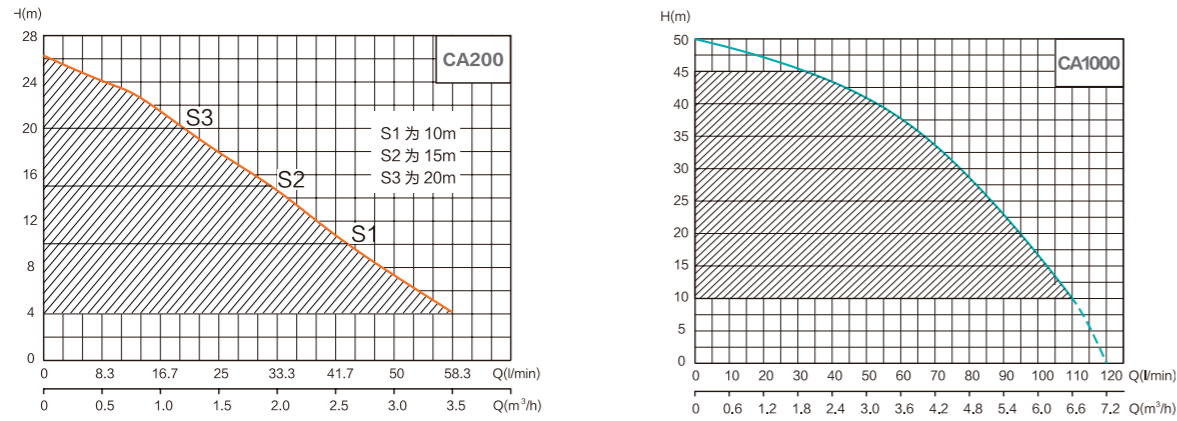
Application Fields

Villa water supply pressurization, community water supply pressurization, school water supply pressurization, small commercial water supply pressurization

Model Instruction



Performance Curve



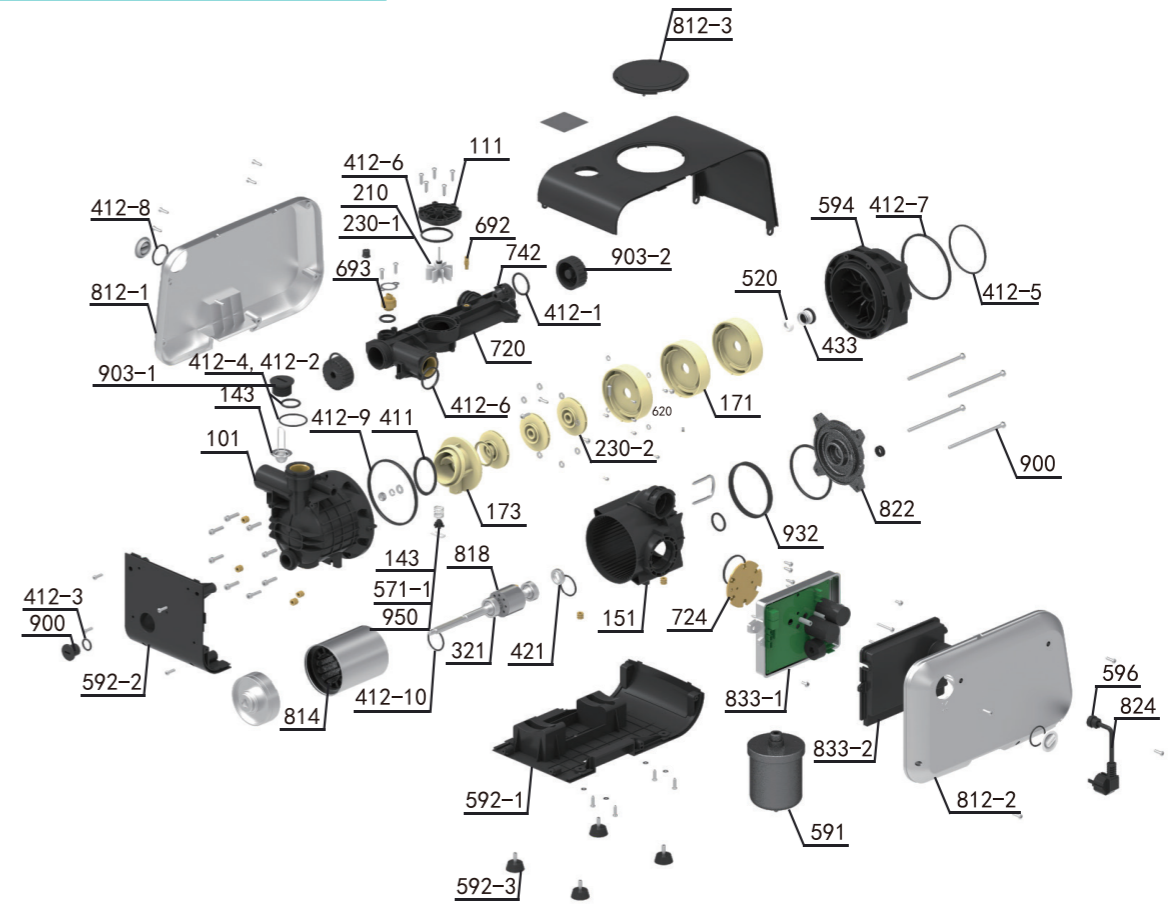
Model	Power		Max. Flow (m³/h)	Max. Head (m)	Head Range (m)	Max. Suction (m)
	kW	HP				
CA200	0.2	0.27	3.5	25	4~25	5
CA1000	1.0	1.36	7.2	50	10~45	6

Components & Materials



No.	Part name	No.	Part name	No.	Part name
101	Pump body	507	Water retaining ring	827	Cable sheath
161	Pump cover	591	pressure tank	831	fan
171-1	Guide vane cover	592	Base	832	Fan cover
171-2	Guide vane	594	Coupling	833-1	Junction Box
171-3	Last stage guide vane	620	Panel screen	833-2	Junction box cover
230	impeller	693	Pressure Sensor	900-1	Dust cover
321	Deep groove ball bearing	742	Check valve	900-2	Water cock
412-1	O -shaped sealing ring	811	chassis	901	Hexagon head bolts
412-2	O -shaped sealing ring	812	Enclosure	903	Water cock
412-3	O -shaped sealing ring	814	Stator core with windings	951-1	display board
412-4	O -shaped sealing ring	818	Rotor	951-2	Control panel
433	Machinery Seal	824	Cable		

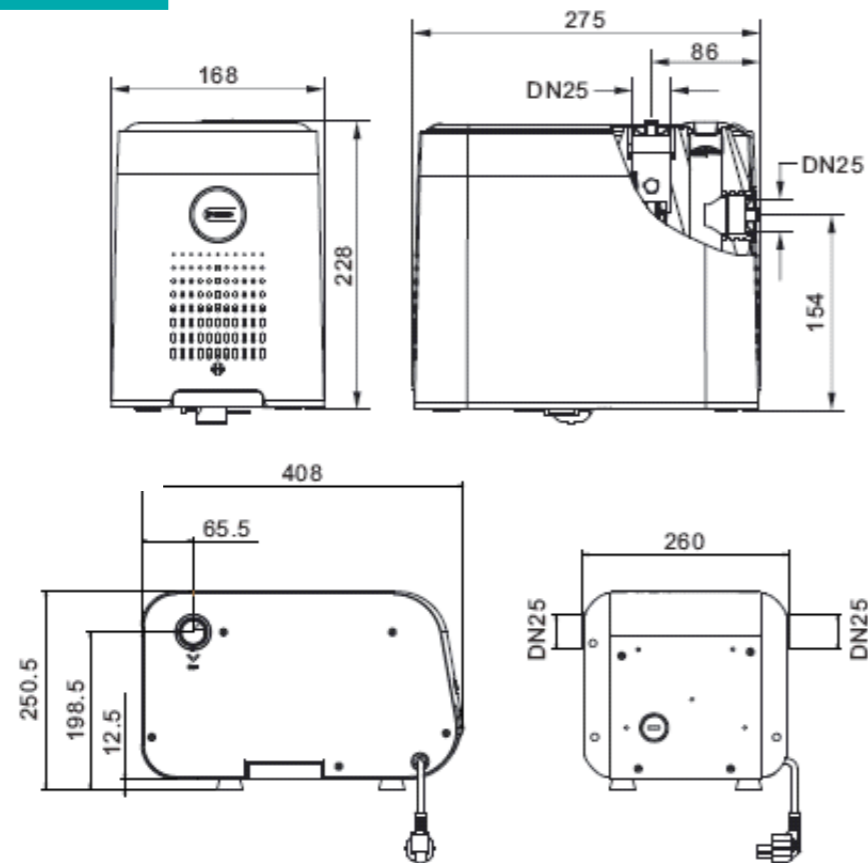
Components & Materials



No.	Part name	No.	Part name	No.	Part name	No.	Part name	No.	Part name
812-1	Left housing	955-1	Panel sticker	143	Filter	151	Water-flowing pump body	724	Radiating plate
550-8	Pressure sensor pressing plate	620	Display panel assembly	101	Pump body	591-1	Large insert spring	833-1	Control box assembly
111	Flowmeter cover plate assembly	812-3	Panel cover	900-2	Drain cock	822	Rear end cover	833-2	Control box cover
210	Turbine shaft	594	Connector	592-2	Side base	827-2	Lead wire sheath	812-2	Right housing
230-1	Turbine assembly	171	Guide vane	411	Rubber washer	932	Backing ring	827	Cable
692	Temperature sensor	230-2	Impeller	903-3	Return hole plug	818	Rotor	591	Pressure tank
693	Pressure sensor	720	Outlet pipe fitting	950-1	Spring	814	Stator	592-3	Foot
903-2	Plug	903-1	Vent cock	591-2	Small insert spring	592-1	Base		

Model	CA200 (115V-50Hz)	CA200 (220V-50Hz)	CA1000 (115V-50Hz)	CA1000 (220V-50Hz)
Capacitor	/	/	/	/
End cap Bearing	6201-2RZ	6201-2RZ	6202-2RZ	6202-2RZ
Connection Part Bearing	6201-2RZ	6201-2RZ	6202-2RZ	6202-2RZ
Motor Shaft	420#	420#	420#	420#
Mechanical Seal	108-12/21&S:A(RC)&Static ring26	108-12/21&S:A(RC)&Static ring26	108-14/20.5&Without mechanical sealing ring&S:K(RC)	108-14/20.5&Without mechanical sealing ring&S:K(RC)
Motor Case	Aluminum shell	Aluminum shell	304#	304#
Coupling	aluminum	aluminum	plastic	plastic
Pump Body	plastic	plastic	plastic	plastic
Impeller	plastic	plastic	plastic	plastic

Packing Size & Weight



Model	Dim.(L*W*H)mm	G.W.(kg)	20"LoadInE Qty(pcs)	Dim.For Outer Packing(L*W*H)mm	G.W.(kg)	20"LoadInE Qty(pcs)
CA200	275x168x228	4.8	1512	320x215x295	5.4	1512
CA1000	408x260x205	10.5	595	455x345x315	11.5	595



Performance Range

Max. Flow: 6m³/h
Max. Head: 62m

Certificate



Application Limits

- ⊙ Suction head up to 9m
- ⊙ Liquid temperature up to +40°C
- ⊙ Ambient temperature up to +40°C
- ⊙ Max. Working pressure: 5bar
- ⊙ Voltage fluctuation should not exceed 10% of rated value.
- ⊙ pH: 6.5 to 8.5

Features

- ⊙ The JET type self-priming pump
- ⊙ High suction, with short time
- ⊙ Different impeller material configuration

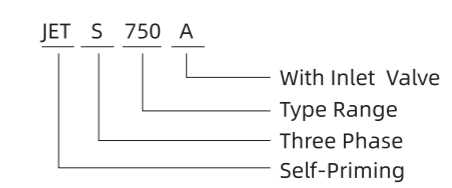
Application Fields

- ⊙ Suitable for transferring water without abrasive particles or other liquid whose properties are similar to water.
- ⊙ Widely used in garden irrigation, vegetable greenhouse water supply, breeding industry water supply and drainage, various corollary equipment, etc.

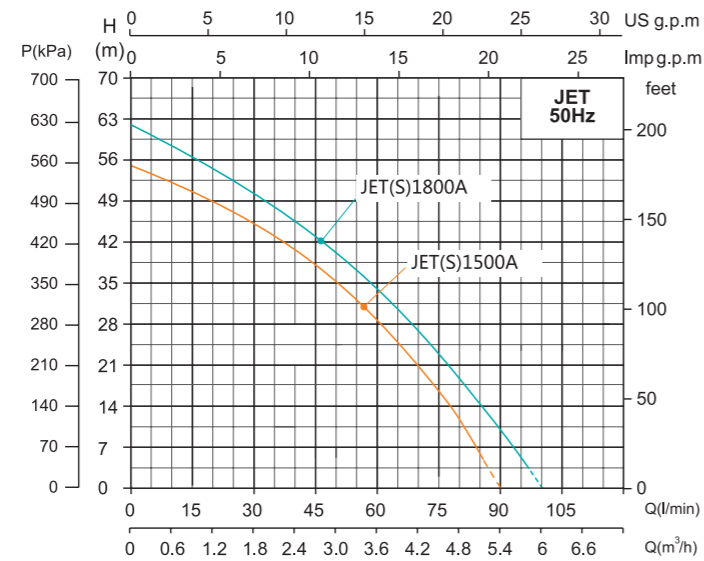
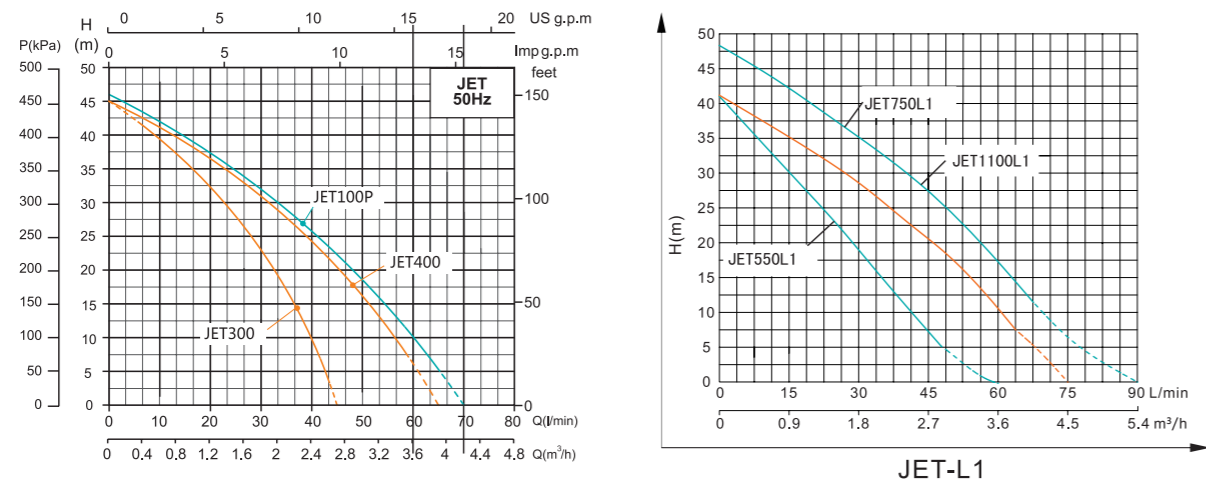
Optional Available On Request

- ⊙ 304 stainless steel welding shaft
- ⊙ Electrophoretic pump body and connections
- ⊙ NSK bearing
- ⊙ Motor whose insulation class is F
- ⊙ Other voltage or frequency is 60Hz

Model Instruction



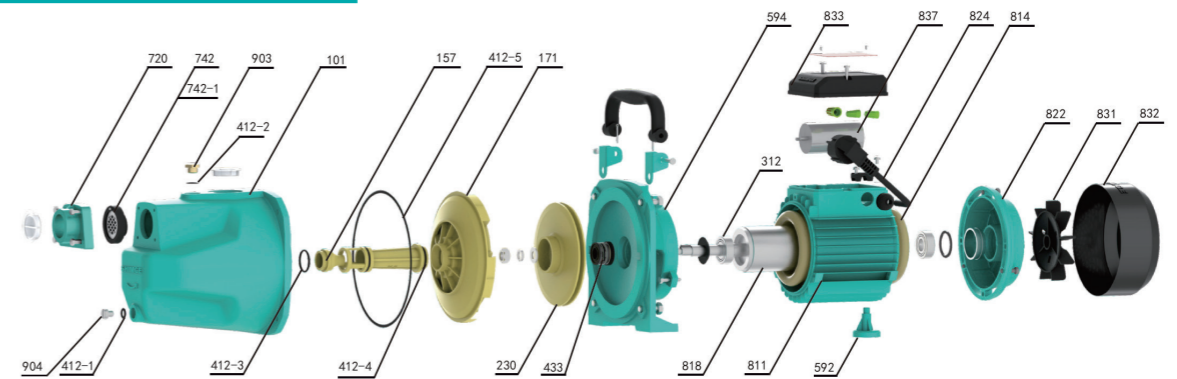
Performance Curve



Model		Power		Max. Flow (m³/h)	Max. Head (m)	Head Range (m)	Max. Suction (m)
Single-Phase	Three-Phase	kW	HP				
JET100P	-	0.75	1	4.2	46	6~46	9
JET300	-	0.55	0.75	2.7	45	3~42	9
JET400	-	0.75	1	3.9	45	7~45	9
JET550L1	-	0.55	0.75	3.6	41	7~41	9
JET750L1	-	0.75	1	4.5	41	7~41	9
JET1100L1	-	1.1	1.5	5.4	48	6~48	9
JET1500A	JETS1500A	1.5	2	5.4	55	4.5~55	9
JET1800A	JETS1800A	1.8	2.5	6	62	3.5~62	9

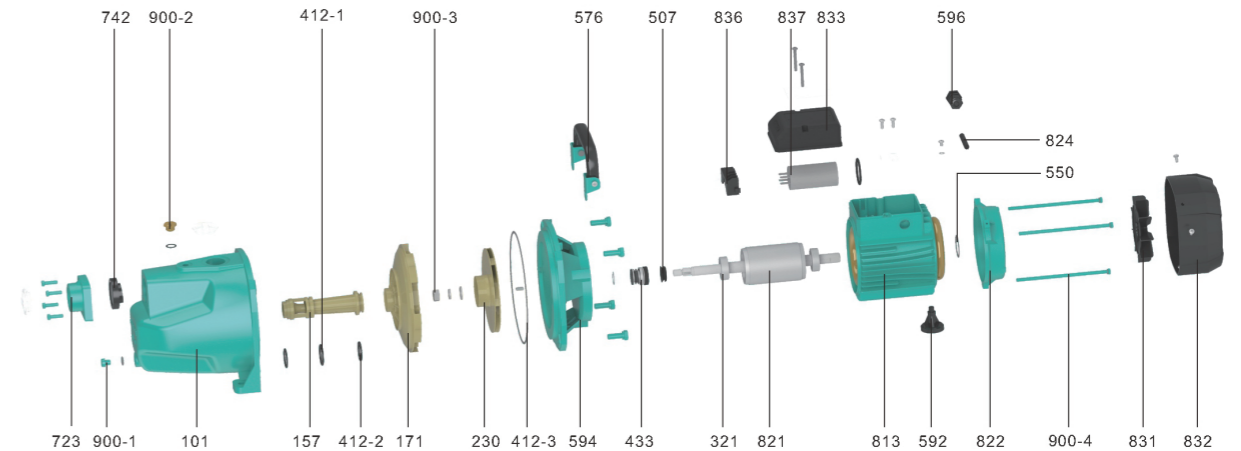
Note: The cable length of single phase pump JET100P~400 are 0.3m, JET1500A~1800A's are 1.3m, Europe plug; three-phase cable length is 0.3m, no plug.

Components & Materials



Applicable to JET-A series

No.	Part name	No.	Part name	No.	Part name
720	Inlet joint	824	Cable (domestic)	433	Mechanical seal
321	Deep groove ball bearing	814	Stator core with winding	592	Foot
818	Rotor	412-3	O-ring	101	Pump body (SHIMGE)
832	Fan cover	171	Guide vane	831	Fan\QB70
837	Running capacitor	811	Casing	594	Connector
412-5	O-ring	412-2	O-ring	904	Slotted cheese head screw
903	Vent cock	157	Ejector (with nozzle)	822	Rear end cover
412-1	O-ring	833	Junction box	742-2	Check valve with filter
230	Impeller	412-4	O-ring	742-1	Valve sleeve



Applicable to JET-L1 series

No.	Part name	No.	Part name	No.	Part name
101	Pump body	592	Feet	836	Terminal block
157	Ejector	594	Coupling	837	Running capacitor
171	Guide vane	596	Cable lock	900-1	Slotted cheese head screws
230	impeller	723	Inlet Festival	900-2	Hexagon head bolts full thread
321	Deep groove ball bearing	742	Check valve	900-3	Vent cock
412-1	O-ring	813	stator	900-4	Type 1 hex nut
412-2	O-ring	821	Rotor		
412-3	O-ring	822	Back cover		
433	Machinery Seal	824	Cable		
507	Retaining spring	831	fan		
550	Wave spring	832	Fan cover		
576	Handle components	833	Junction Box		

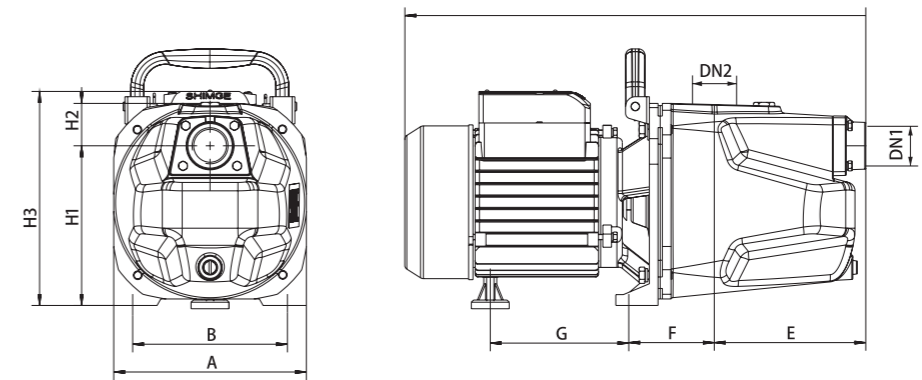
Components & Materials

Model	JET100P	JET300	JET400
Capacitor(μF)	20μF/450V	15μF/450V	18μF/450V
End cap Bearing	6202-2RZ		
Connection Part Bearing	6202-2RZ		
Motor Shaft	AISI 304+Steel 45#		
Mechanical Seal	104-14/25 B:A (P) Stationary seal ring ø26 A:Graphite B: Ceramic P:NBR		
Motor Case	Aluminum		
Coupling	Cast Iron		
Pump Body	Cast Iron		
Impeller	Copper		
Guide Vane	Brass		

Model	JET550L1	JET750L1	JET1100L1	JET1500A	JET1800A	JETS1500A	JETS1800A
Capacitor(μF)	12 μF/450V	18μF/450V	25μF/450V	25μF/450V	35μF/450V	/	/
End cap Bearing	6202-2RZ			6204-2RZ			
Connection Part Bearing	6202-2RZ			6204-2RZ			
Motor Shaft	AISI304+Steel 45#						
Mechanical Seal	108-14/25 B:A (P) Stationary seal ring			1006-17/30 S:A(P) Stationary seal ring ø26.9 A:Graphite B: Ceramic P:NBR E:EPDM			
Motor Case	Aluminum						
Coupling	Cast Iron						
Pump Body	Cast Iron						
Impeller	304 / PPO			Plastics PPO			
Guide Vane	Plastics PPO						

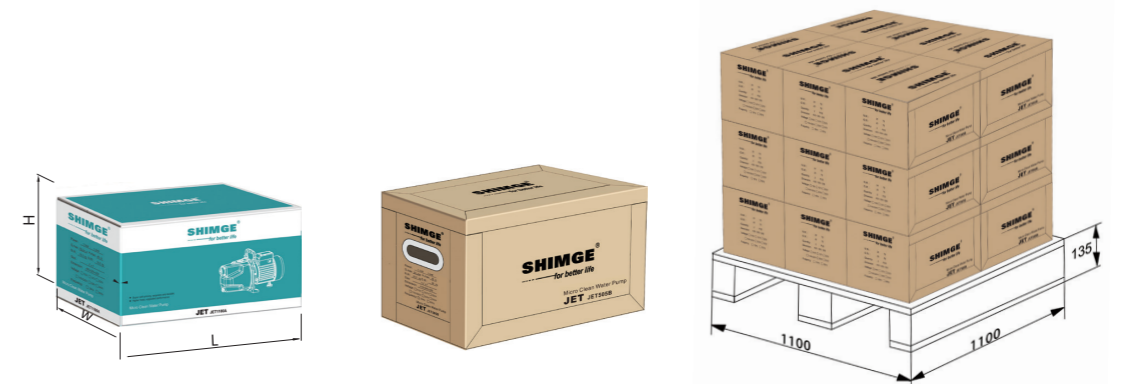
Dimensions & Weight

Model		DN1	DN2	Dim.(mm)										N.W. (kg)
Single-Phase	Three-Phase	Inch		A	B	E	F	G	L	H1	H2	H3	S	
JET110P	-	1	1	180	145	143	88.5	101	220	157	29	198	11	16
JET300	-	1	1	180	145	149.5	96.5	102.5	434.5	154.5	36	198.5	11	16.5
JET400	-	1	1	180	145	149.5	96.5	102.5	434.5	154.5	36	198.5	11	17
JET550L1	-	1	1	140	178	132	21	193	430	147	38	204	12	13.3
JET750L1	-	1	1	140	178	132	21	193	430	147	38	204	12	14.7
JET1100L1	-	1	1	140	178	132	21	193	430	147	38	204	12	15.7
JET1500A	JETS1500A	1.5	1.5	207	170	169	92	168	519	167	52	233	11	23/22
JET1800A	JETS1800A	1.5	1.5	207	170	169	92	168	519	167	52	233	11	24/23



Packing Size & Weight

Model		Dim.(LxWxH) mm	G.W. (kg)	20' Loading Qty. (pcs)
Single-Phase	Three-Phase			
JET100P	-	430x210x195	16.5	1480
JET300	-	470x200x204	17	1606
JET400	-	470x200x204	17.5	1606
JET550L1	-	480x205x225	14	1420
JET750L1	-	480x205x225	15.5	1420
JET1100L1	-	480x205x225	16.5	1420
JET1500A	JETS1500A	555x240x265	24.5	918
JET1800A	JETS1800A	555x240x265	26	918





SGJW-S

Performance Range

Max. Flow: 5.4m³/h
Max. Head: 52m

Certificate



Application Limits

- ⊙ Suction head up to 9m
- ⊙ Liquid temperature up to +40°C
- ⊙ Ambient temperature up to +40°C
- ⊙ Max. Working pressure: 6bar
- ⊙ Voltage fluctuation should not exceed 10% of rated value.
- ⊙ pH: 6.5 to 8.5

Basic Configuration

- ⊙ Pump body: cast iron
- ⊙ Impellers: brass
- ⊙ Shaft: 45 # Steel+304
- ⊙ Mechanical sealing: ceramic / graphite / NBR rubber
- ⊙ Motor: two asynchronous motors, copper coils, built-in thermal protection, all closed fan-cooled, continuous operation
- ⊙ Protection: IP44
- ⊙ Insulation class: B

Application Fields

- ⊙ Suitable for transferring water without abrasive particles or other liquid whose properties are similar to water.
- ⊙ Widely used in garden irrigation, vegetable greenhouse water supply, breeding industry water supply and drainage, various corollary equipment, etc.

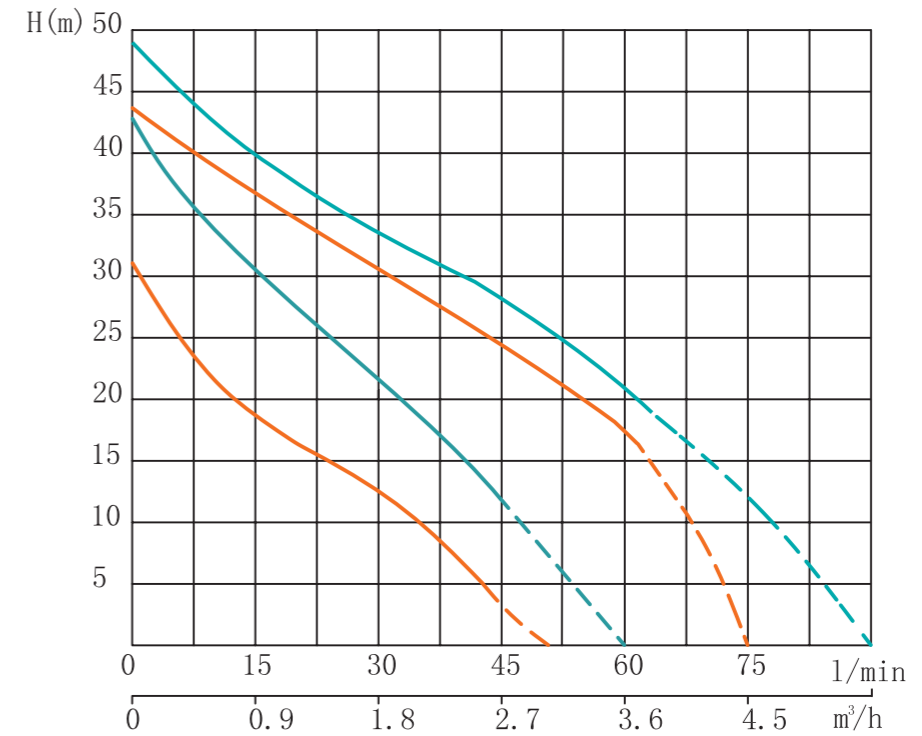
Optional Available On Request

- ⊙ 304 stainless steel welding shaft
- ⊙ Electrophoretic pump body and connections
- ⊙ NSK bearing
- ⊙ Motor whose insulation class is F

Model Instruction

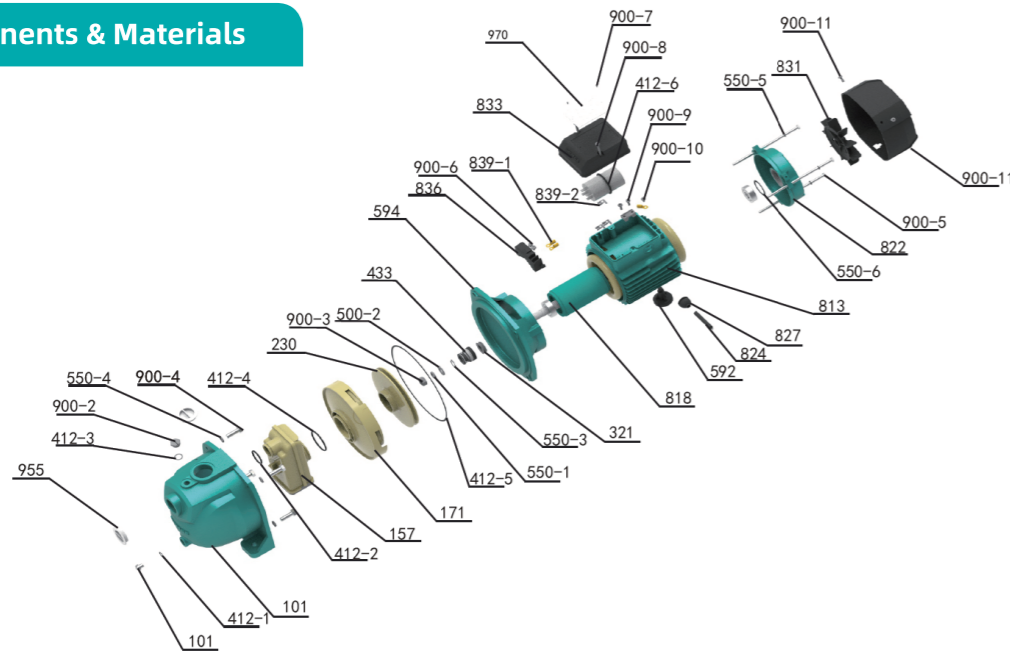


Performance Curve



Model	Power		Max. Flow (m ³ /h)	Max. Head (m)	Head Range (m)	Max. Suction (m)
	kW	HP				
SGJW37S	0.37	0.5	3	32	2.5~32	8
SGJW55S	0.55	0.75	3.6	41	3~41	9
SGJW75S	0.75	1	4.5	45	4.5~45	9
SGJW110S	1.1	1.5	5.4	52	5~52	9

Components & Materials

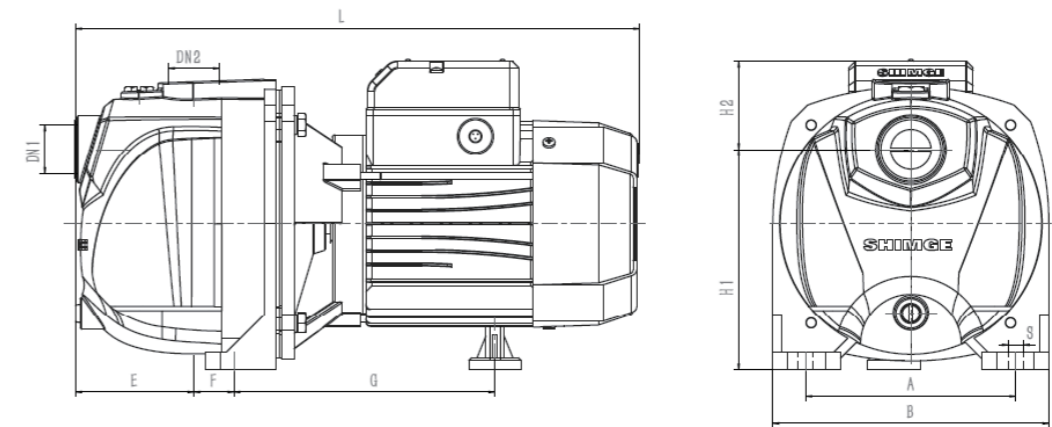


No.	Part name	No.	Part name	No.	Part name
900-1	Slotted cheese head screw	832	Fan cover	550-2	Flat washer
412-1	O-ring	900-11	Cross head pan head screw	900-3	Lock nut
101	Pump body	831	Fan blade	230	Impeller
412-2	O-ring	550-5	Spring washer	412-4	O-ring
157	Ejector	550-6	Wave spring	900-4	Hexagon head bolt
171	Guide vane	900-10	Hexagon cross recessed screw	550-4	Spring washer
412-5	O-ring	900-9	Hexagon cross recessed screw	900-2	Vent cock
550-1	Spring washer	412-6	O-ring	412-3	O-ring
550-3	Circlip for shaft	900-8	Hexagon cross recessed screw	955	Dust cover
507	Water retaining ring	900-7	Rivet		
321	Bearing	970	Nameplate		
818	Rotor	833	Junction box		
592	Foot	839-1	6.3 spring		
824	Cable	839-2	O-type closed terminal		
827	Cable sheath	900-6	Cross recessed screw		
813	Stator	836	Wiring terminal		
822	Rear end cover	594	Connector		
900-5	Hexagon head bolt	433	Mechanical seal		

Model	SGJW375	SGJW555	SGJW755	SGJW110S
Capacitor(μF)	AC12μF\450V	AC12μF\450V	AC20μF\450V	AC20μF\450V
Bearing	6201-2RZ	6202-2RZ	6202-2RZ	6202-2RZ
Motor Shaft	AISI 304+Steel 45#			
Mechanical Seal	108-12/21&B:A(PC)	108-14/25&B:A(PC)	108-14/25&B:A(PC)	108-14/25&B:A(PC)
	A:Graphite B: Ceramic P:NBR			
Motor Case	YL102	YL102	YL102	YL102
Coupling	HT200	HT200	HT200	HT200
Pump Body	HT200	HT200	HT200	HT200
Impeller	HPb57-3	HPb57-3	HPb57-3	HPb57-3

Dimensions & Weight

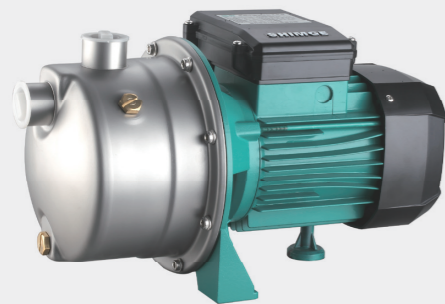
Model	DN1	DN2	Dim.(mm)								N.W. (kg)	
			Single-Phase		A	B	E	F	G	L		S
SGJW375	1"	1"	112	147	83.5	19	160	343	10	113	55	8.6
SGJW555	1"	1"	140	184	78.5	26.5	174	376	10	148	59	13.6
SGJW755	1"	1"	140	184	78.5	26.5	174	376	10	148	59	14.3
SGJW110S	1"	1"	140	184	78.5	26.5	174	376	10	148	59	15



Packing Size & Weight

Model	Dim.(L×W×H) mm	G.W. (kg)	20'Loading Qty. (pcs)
Single-Phase			
SGJW375	370*165*210	8.6	2192
SGJW555	420*200*235	13.6	1425
SGJW755	420*200*235	14.3	1425
SGJW110S	420*200*235	15	1425





JET-G2

Performance Range

Max. Flow: 5.4m³/h
Max. Head: 48m

Certificate



Application Limits

- ⊙ Suction head up to 9m
- ⊙ Liquid temperature up to +40°C
- ⊙ Ambient temperature up to +40°C
- ⊙ Max. Working pressure: 4.8bar
- ⊙ Voltage fluctuation should not exceed 10% of rated value.
- ⊙ pH: 6.5 to 8.5

Basic Configuration

- ⊙ Mechanical sealing: ceramic / graphite / NBR rubber
- ⊙ Motor: two asynchronous motors, copper coils, built-in thermal protection, all closed fan-cooled, continuous operation
- ⊙ Protection: IP44
- ⊙ Insulation class: B

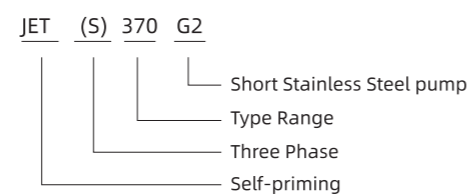
Application Fields

- ⊙ Suitable for transferring water without abrasive particles or other liquid whose properties are similar to water.
- ⊙ Widely used in garden irrigation, vegetable greenhouse water supply, breeding industry water supply and drainage, various corollary equipment, etc.

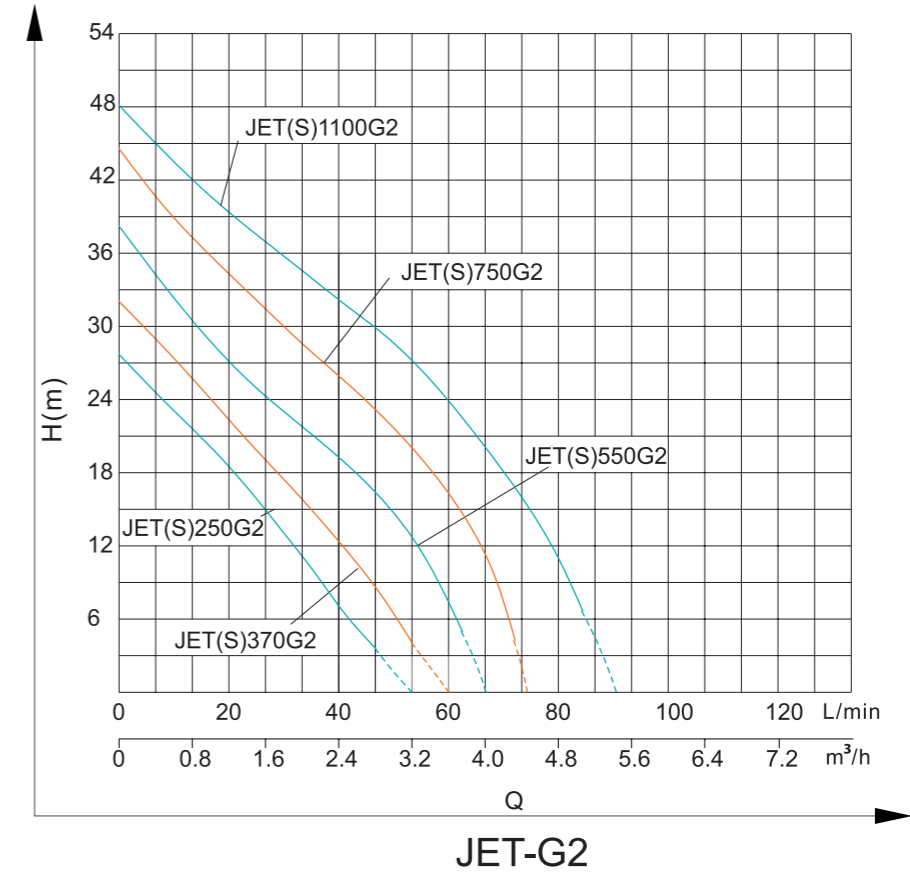
Optional Available On Request

- ⊙ NSK bearing
- ⊙ Motor whose insulation class is F

Model Instruction

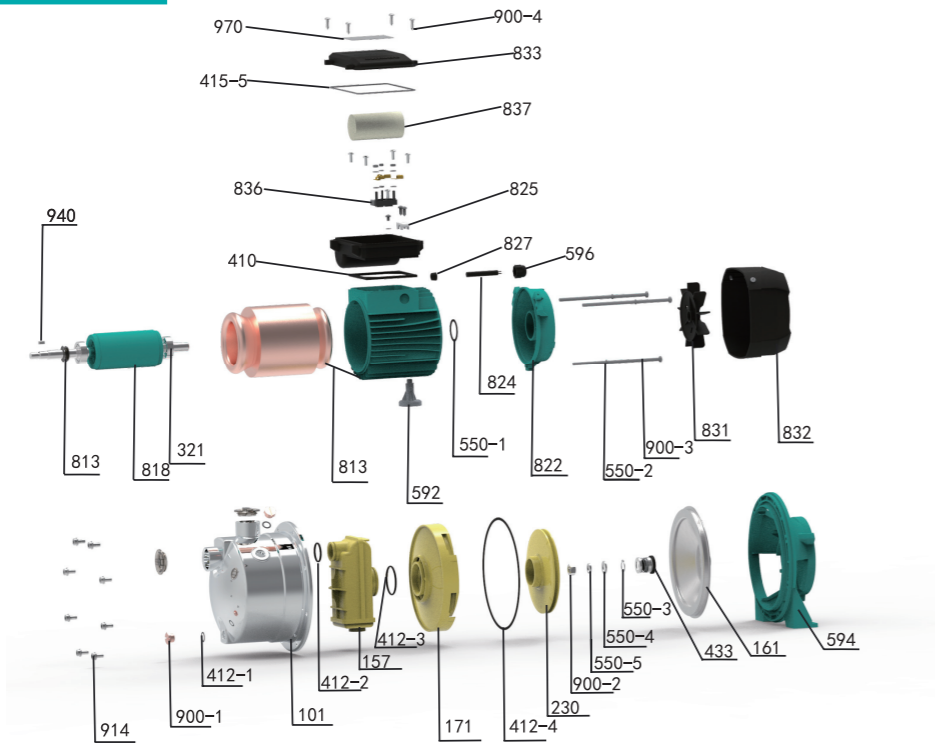


Performance Curve



Model	Power		Max. Flow (m ³ /h)	Max. Head (m)	Head Range (m)	Max. Suction (m)
	Single-Phase kW	HP				
JET (S) 250G2	0.25	0.34	2.7	28	4~28	8
JET (S) 370G2	0.37	0.5	2.8	32	5~32	7
JET (S) 550G2	0.55	0.75	3.5	38	4~38	9
JET (S) 750G2	0.75	1	3.5	44	5.5~44	9
JET (S) 1100G2	1.1	1.5	4.2	48	9~48	9

Components & Materials

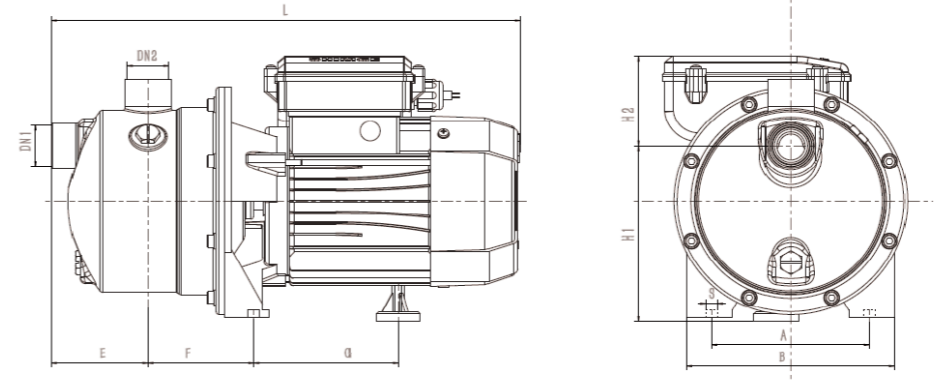


No.	Part name	No.	Part name	No.	Part name
914	Hexagonal head screw	433	Mechanical seal	321	Deep groove ball bearing
900-1	Vent cock	161	Pump cover	833	Junction box assembly
412-1	O-ring seal	594	Coupling	818	Rotor
101	Pump body (matte)	832	Fan cover	940	Flat key joint
412-2	O-ring seal	831	Fan	410	Rubber washer
157	Injector	900-3	Type I hexagonal bolt	836	Binding post
412-3	O-ring seal	550-2	Spring washer	412-5	O-ring seal
171	Guide vane	822	Rear end cover	970	Nameplate
412-4	O-ring seal	596	Cable lock	900-4	Cross recessed pan head tapping screw
230	Impeller	824	Cable	837	Capacitor
900-2	Type I hexagonal nut	550-1	Wave spring	825	Cable pressing plate
550-5	Spring washer	827	Cable sheath		
550-4	Flat washer	592	Foot		
550-3	Elastic collar for shaft	813	Stator		

Model	JET250G2	JET370G2	JET550G2	JET750G2	JET1100G2	JETS250G2	JETS370G2	JETS550G2	JETS750G2	JETS1100G2
Capacitor(μF)	AC12μF\450V			AC18μF\450V	AC25μF\450V	/	/	/	/	/
Bearing	6201-2RZ	6201-2RZ	6202-2RZ	6202-2RZ	6202-2RZ	6201-2RZ	6201-2RZ	6202-2RZ	6202-2RZ	6202-2RZ
Motor Shaft	304+45#	304+45#	304+45#	304+45#	304+45#	304+45#	304+45#	304+45#	304+45#	304+45#
Mechanical Seal	108-12/21&S:A(RC)		108-14/25&S:A(PC)			108-12/21&S:A(RC)		108-14/25&S:A(PC)		
Motor Case	YL102	YL102	YL102	YL102	YL102	YL102	YL102	YL102	YL102	YL102
Coupling	YL102	YL102	YL102	YL102	YL102	YL102	YL102	YL102	YL102	YL102
Pump Body	304	304	304	304	304	304	304	304	304	304
Impeller	PPO	PPO	PPO	PPO	PPO	PPO	PPO	PPO	PPO	PPO

Dimensions & Weight

Model	DN1	DN2	Dim.(mm)								N.W.(kg)	
			Single-Phase		A	B	E	F	G	L		S
JET250G2	1"	1"	105	145	70	79	109	333.5	9.5	120	64.5	6.1
JET370G2	1"	1"	105	145	70	79	109	333.5	9.5	120	64.5	6.6
JET550G2	1"	1"	125	165	76.5	83.5	114.5	371	9.5	143	73	8.8
JET750G2	1"	1"	125	165	76.5	83.5	114.5	371	9.5	143	73	10.2
JET1100G2	1"	1"	145	183	76	97	109.5	379	9.5	153	68	12
JETS250G2	1"	1"	105	145	70	79	109	333.5	9.5	120	59.5	5.6
JETS370G2	1"	1"	105	145	70	79	109	333.5	9.5	120	59.5	6.1
JETS550G2	1"	1"	125	165	76.5	83.5	114.5	371	9.5	143	59.5	8.5
JETS750G2	1"	1"	125	165	76.5	83.5	114.5	371	9.5	143	59.5	9.8
JETS1100G2	1"	1"	145	183	76	97	109.5	379	9.5	153	54.5	11.5



Packing Size & Weight

Model	Dim.(L×W×H) mm	G.W.(kg)	20'Loading Qty.(pcs)
JET250G2	370*210*225	6.1	1628
JET370G2	370*210*225	6.6	1628
JET550G2	410*230*265	8.8	1140
JET750G2	410*230*265	10.2	1140
JET1100G2	410*245*275	12	1017
JETS250G2	370*210*225	5.6	1628
JETS370G2	370*210*225	6.1	1628
JETS550G2	410*230*265	8.5	1140
JETS750G2	410*230*265	9.8	1140
JETS1100G2	410*245*275	11.5	1017



PJ750M1

Performance Range

Max. Flow: 5.1m³/h
Max. Head: 30m

Certificate



Application Limits

- ⊙ Medium temperature: No higher than 40°C
- ⊙ Ambient temperature: No higher than 40°C
- ⊙ Pump body Max. Pressure: 0.6Mpa
- ⊙ The PH value of the medium is between 6.5 and 8.5, the volume ratio of solid impurities in the medium is ≤ 0.1%, and the particle size is ≤ 0.2mm.
- ⊙ Voltage fluctuation: No more than ±10% of the rating.

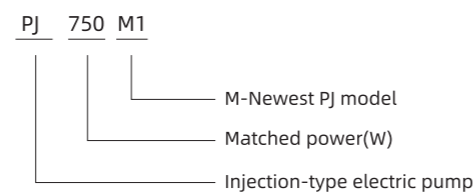
Basic Configuration

- ⊙ Pump body: HT200;
- ⊙ Guide vane: PPO;
- ⊙ Shaft: 45#
- ⊙ Connection: HT200
- ⊙ Chassis/rear cover: YL102
- ⊙ Mechanical seal: pressureless sintered silicon carbide/graphite/nitrile rubber
- ⊙ Motor: two-pole asynchronous motor, copper coil, with thermal protector,
- ⊙ "Protection level: IP44
- ⊙ Insulation class: B"

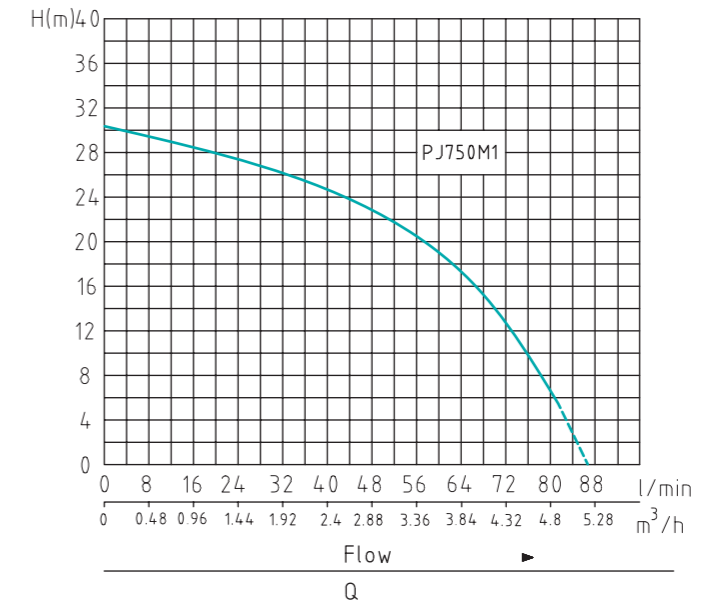
Application Fields

⊙ Injection pumps of PJ series, featured by small flow, high pressure, strong self-priming, can be widely applied to water-intake way for domestic usage, garden irrigation, pressurization for tap water, well water pumping and aquaculture.

Model Instruction

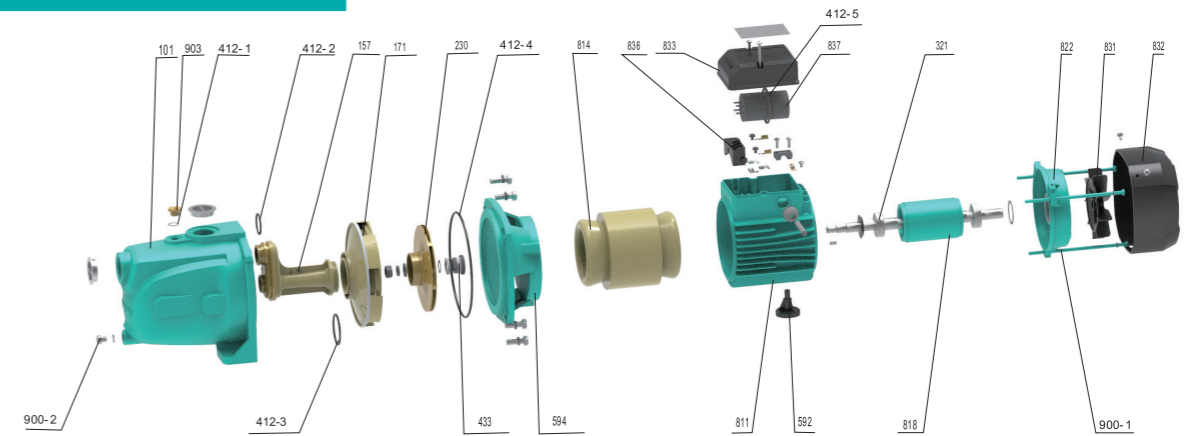


Performance Curve



Model	Power		Max. Flow (m ³ /h)	Max. Head (m)	Head Range (m)	Max. Suction (m)
	kW	HP				
PJ750M1	0.75	1	5.1	30	10~30	8

Components & Materials

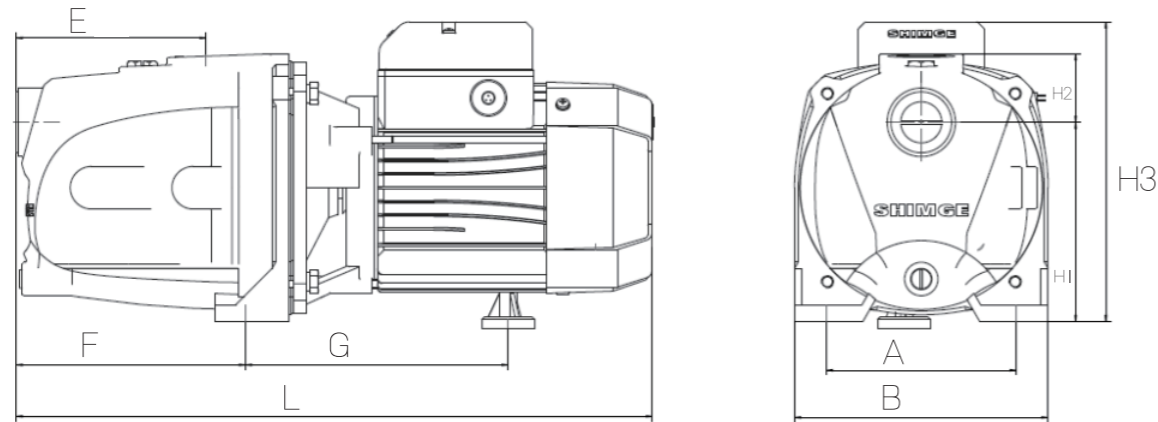


No.	Part name	No.	Part name	No.	Part name
101	Pump body	230	impeller	837	Running capacitor
412-1	O-ring	433	Machinery Seal	814	Stator core with windings
412-2	O-ring	900-1	Hexagon head bolts	811	chassis
412-3	O-ring	594	Coupling	592	Feet
412-4	O-ring	594	Coupling	818	Rotor
412-5	O-ring	822	Lower bearing block	321	Deep groove ball bearing
903	Vent cock	832	Fan cover	900-2	Slotted cheese head screws
157	Ejector	831	fan	836	Terminal block
170	Guide vane	833	Junction Box		

Model	PJ750M1
Capacitor	AC20μF/450V
End-cover Bearing	6202-2RZ
Coupling Bearing	6202-2RZ
Motor Shaft	45 #
Mechanical Seal	301-14/21 B:A (P)(Stationary seal ring ø28) A:Hot pressed graphite,B:Reation sintered silicon carbide,P:Nitrile rubber,C:Stainless steel(06Cr19Ni10)
Motor casing	Aluminum
Coupling	Aluminum
Pump Body	HT200
Guide vane	PPO
Impeller	HPb57-3

Dimensions & Weight

Model	DN1	DN2	Dim.(mm)									N.W. (kg)
			A	B	E	F	G	L	H1	H2	H3	
PJ750M1	1"	1"	125	167	125	151	173	419	131	45	197	12.0



Packing Size & Weight

Model	Dim.(LxWxH) mm	G.W. (kg)	20'Loading Qty. (pcs)
PJ750M1	419x167x197	12	1400



	Model	Dimension (cm)		Model	Dimension (cm)		Model	Dimension (cm)
	VC-19L	27 × 27 × 40		HC-24L	31 × 28 × 40		VCF-60L	46 × 46 × 65
	VC-24L	27 × 27 × 46		HC-36L	38 × 36 × 43		VCF-80L	46 × 46 × 76
	Model	Dimension (cm)		Model	Dimension (cm)		Model	Dimension (cm)
	VS-23L	33 × 33 × 33		HC-50L	55 × 36 × 38		VCF-100L	46 × 46 × 85
	VS-24L	36 × 36 × 34		HC-60L	48 × 46 × 49		Model	Connection
				HC-80L	48 × 46 × 60		3-way	1"
				HC-100L	48 × 46 × 68		4-way	1"
							5-way	1"

	PS-02A	PS-02B	PS-02C
	1.4-2.8 bar	1.4-2.8 bar	1.4-2.8 bar
	2.1-3.5bar	2.1-3.5bar	female/male
	2.8-4.3bar	2.8-4.3bar	
	female/male	3.5-5.6bar	
		4.9-7.2bar	
		female/male	

	Model	PG-P	PG-SS	PG-S
	SIZE	PG-40	PG-SS 40	PG-S 40
	40mm	PG-50	PG-SS 50	PG-S 50
	50mm			

THREE TYPES OF SHELL: (1) PG-P:plastic (2) PG-SS:stainless steel (3) PG-S:steel
 THE CONNECTIONS HAVE TWO TYPES: (1)G 1/4" (2)M10x1
 FOR 40MM GAUGE,THE SCALE IS 0-10 BAR OR 0-6 BAR
 TWO TYPES OF CONNECTIONS: A:BACK CONNECTION B:BOTTOM CONNECTION FOR 40MM GAUGE, THE SCALE IS 0-6 BAR

	Model	VOLTAGE	CURRENT	AMBIENT TEMPERATURE
	FLO-1	220V-240V	8A	0-80°C
	FLO-2	220V-240V	8A	0-80°C

	Model	VOLTAGE	FREQUENCY	CURRENT	CONNECTIONS	PROTECTION
	PS-01	220V-240V 110V-115V	50/60Hz	10A	1" x 1"	IP 65

	Model	VOLTAGE	FREQUENCY	CURRENT	CONNECTIONS	PROTECTION
	PS-01A	220V-240V 110V-115V	50/60Hz	10A	1" x 1"	IP 65

	Model	VOLTAGE	FREQUENCY	CURRENT	CONNECTIONS	PROTECTION
	PS-01B	220V-240V 110V-115V	50/60Hz	12A	1" x 1"	IP 65

	Model	VOLTAGE	FREQUENCY	CURRENT	CONNECTIONS	PROTECTION
	PS-01C	220V-240V 110V-115V	50/60Hz	12A	1" x 1"	IP 65